



**NeroValves GmbH**

Industrial Valves: DIN - API - ASME

## Nero Automatic Control Valves

---

### Nero- Automatic Control Valves

Face to face according to DIN EN 588-1 series 1(DIN 3202-F1)

Flanges according to DIN EN1092-2(DIN 2501)

Size range: DN 50 – DN 800

Pressure rating: PN 10 – PN 25

#### Features:

Nero Control Valves are used as regulating and control valves. The body is designed in either horizontal or diagonal shape, with the internal configuration suitable for fluid flow.

The valves are controlled by water flow.

The body interior and exterior are coated with epoxy powder.

#### Surface protection:

All casting parts are coated with epoxy powder

#### Range of Application:

For fluids such as water and raw water with temperature up to 70°C

- Pressure reducing valve
- Pressure reducing & sustaining valve
- Pressure relief or sustaining valve
- Pressure regulating solenoid valve
- Surge anticipator valve
- Pump control valve
- Rate of flow control valve
- Solenoid control valve
- Check valve with controllable opening & closing speed
- Excess flow shut - off valve

#### The control valves are tested according to the following table

Test pressure according to ISO 5208 standard

Nominal pressure PN (bar)	Test pressure, with water, (bar)	
	Body	Seal
10	15	11
16	24	17,6
25	37,5	27,5



Subject to alternation

We reserve the right to make any technical modification. We are not responsible for any error in printing.

---

**Nero Valves GmbH**

Mörfelden – Walldorf / Germany

[www.nero-valves.com](http://www.nero-valves.com); [www.nero-valvesgmbh.de](http://www.nero-valvesgmbh.de); [info@nero-valvesgmbh.de](mailto:info@nero-valvesgmbh.de)



Member of  
German Water  
Partnership

Solutions you can trust.



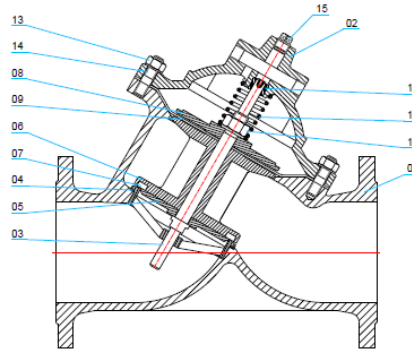
**NeroValves GmbH**

Industrial Valves: DIN - API - ASME

## Nero Automatic Control Valves

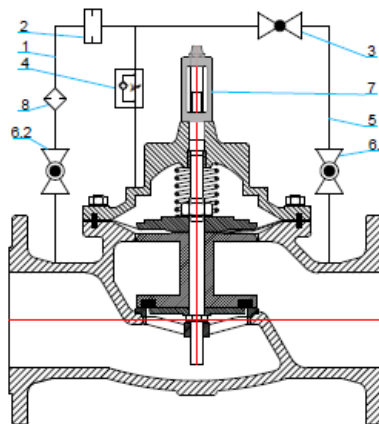
### Material:

1.- Body:	EN-GJS-400-15/ EN-GJS-7
2.- Cover:	EN-GJS-400-15/ EN-GJS-7
3.- Shaft:	Stainless Steel 1.4301
4.- Seat ring:	Stainless steel 1.4408
5.- Guide disc:	Stainless Steel 1.4308 / Aluminium Bronze
6.- Retainer:	Stainless Steel 1.4308 / Aluminium Bronze
7.- Sealing ring:	NBR / EPDM
8.- Diaphragm washer:	Aluminium Bronze/ ductile Iron
9.- Diaphragm:	NBR/ EPDM
10.- Spring:	Stainless steel 1.4301
11.- Bush:	Messing
12.- Nut:	Stainless steel A2
13.- Nut:	Stainless steel A2
14.- Stud:	Stainless steel A2
15.- Plug:	Stainless steel A2



### Pressure Reducing Valves Parts:

- 1.- inlet pipe
- 2.- orifice
- 3.- Pilot
- 4.- flow control valve
- 5.- outlet pipe
- 6.- ball valve
- 7.- valve disc position indicator
- 8.- filter



Subject to alternation

We reserve the right to make any technical modification. We are not responsible for any error in printing.

**Nero Valves GmbH**

Mörfelden – Walldorf / Germany

[www.nero-valves.com](http://www.nero-valves.com); [www.nero-valvesgmbh.de](http://www.nero-valvesgmbh.de); [info@nero-valvesgmbh.de](mailto:info@nero-valvesgmbh.de)



Member of  
German Water  
Partnership

Solutions you can trust.



**Nero Automatic Control Valves**

**Dimensions and weight of automatic control valves**

Face to face: DIN EN 558-1 Series1 (DIN 3202-F1)

Flanges: DIN EN 1092-2 (DIN 2501)

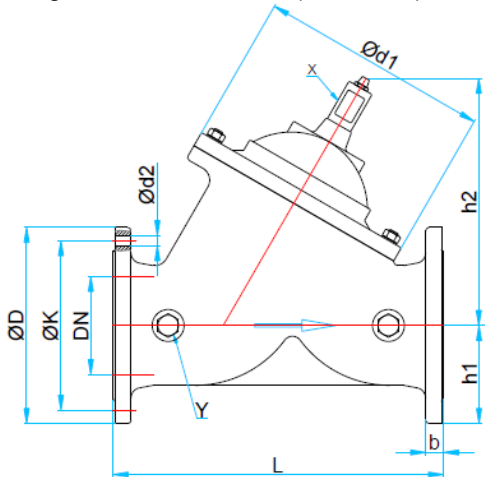


Figure 100

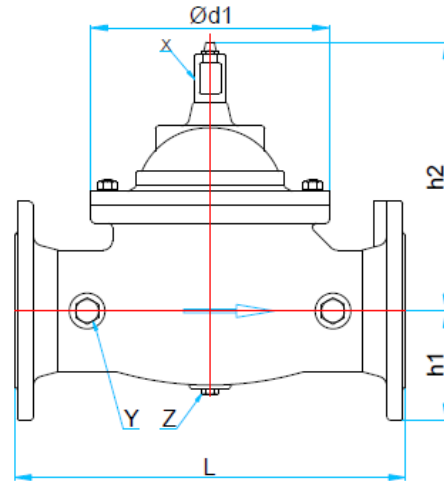


Figure 200

DN mm	PN bar	L mm	OD mm	OK mm	Od2 mm	n mm	b mm	h1 mm	h2 mm	Od1 mm	FIG.	X	Y	Z	Weight kg
50	10,16	230	165	125	19	4	19	83	125	143	200	G 3/8"	G 3/8"	G 1/4"	18.5
65	10,16	290	185	145	19	4	19	93	166	200	200	G 3/8"	G 3/8"	G 3/8"	23
80	10,16	310	200	160	19	8	19	100	185	200	200	G 3/8"	G 1/2"	G 3/8"	34
100	10,16	350	220	180	19	8	19	110	230	245	100,200	G 1/2"	G 1/2"	G 1/2"	46
125	10,16	400	250	210	19	8	19	125	240	245	200	G 1/2"	G 1/2"	G 3/8"	50
150	10,16	480	285	240	23	8	19	143	324	335	100	G 1/2"	G 1/2"	—	88
200	10	600	340	295	23	8	20	178	370	430	100	G 1/2"	G 1/2"	—	138
	16		340	295	23	12	20								
250	10	730	395	350	23	12	22	200	390	430	100	G 1/2"	G 1/2"	G 1/2"	160
	16		405	350	28		22								
300	10	850	445	400	23	12	24.5	208	488	560	100	G 1"	G 3/4"	G 3/4"	307
	16		460	410	28		24.5								
350	10	980	505	460	22	16	26	253	650	712	200	G 1 1/4"	G 3/4"	—	580
	16		520	470	26		30								
400	10	1100	565	515	26	16	26	283	650	712	200	G 1 1/4"	G 3/4"	—	600
	16		580	525	30		32								
500	10	1250	670	620	26	20	28	345	781	900	200	G 1"	G 3/4"	—	950
	16		715	650	33		34								
600	10	1450	780	725	30	20	28	400	777	900	200	G 3/4"	G 3/4"	—	1300
	16		840	770	36		36								
700	10	1650	895	840	30	24	30	458	1068	1226	200	G 3/4"	G 1"	—	2550
	16		910	840	36		36								
800	10	1850	1015	950	33	24	32	593	1068	1226	200	G 3/4"	G 1"	—	2800
	16		1025	950	39		38								

Subject to alternation

We reserve the right to make any technical modification. We are not responsible for any error in printing.

