



NeroValves GmbH

Industrial Valves: DIN · API · ASME

Nero Ball Check Valves

Nero Ball Check Valves

Design features

Total surface rubbered ball, All parts are protected against corrosion

Standard execution: PN 16@ 70°C, NBR

Coating: epoxy coated, RAL 5005, with a minimum thicknesses 200 - 250 µm

Technical Data

Face to Face acc to EN 5581-1:2001

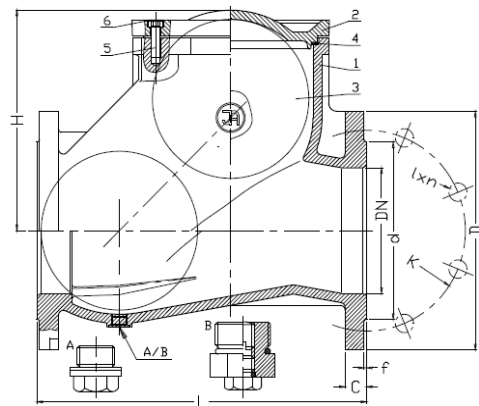
Flanges acc to: EN 1092-2:1999

Working pressure PN16

Leakage class-A

Medium Temperature max 120°C

Assembly: The Ball check valves can be assembled on pipe in horizontal or vertical position



Material:

Body: EN – GJL- 250, or EN GJL- 400

Ball: EN – GJL- 250; or Aluminium

Screw: PN-EN ISO 4762

Bonnet: EN – GJL- 250, or EN GJL- 400

Gasket: NBR; EPDM

Screw stopper: Parafin

Dimension

DN	PN	L	H	d	D	K	I	C	f	n	Weight	
											[mm]	
											-	[kg]
50	PN16	200	113	102	165	125	18	20	3	4	8,3	6,9
65		240	126	122	185	145	18	20	3	4	12,3	11,9
80		260	162	138	200	160	18	22	3	8	16,8	15,8
100		300	194	158	220	180	18	24	3	8	23,1	21,3
125		350	214	188	250	210	18	22	3	8	37,2	34,5
150		400	260	212	285	240	22	26	3	8	53,1	50,2
200	PN10	500	320	268	340	295	22	22	3	12	98,8	92,1
250		600	365	320	405	350	22	30	3	12	136	---
300		700	427	378	460	400	22	30	4	12	220	---
350		800	427	429	520	460	23	32	4	16	260	---
400		900	537	480	580	515	28	32	4	16	410	---
500		1100	650	582	670	620	28	34	4	20	720	---
600	1300	800	582	780	725	31	34	4	20	1100	---	

Subject to alternation

We reserve the right to make any technical modification. We are not responsible for any error in printing.

Nero Valves GmbH

Mörfelden – Walldorf / Germany

www.nero-valves.com; www.nero-valvesgmbh.de; info@nero-valvesgmbh.de



Member of
German Water
Partnership

Solutions you can trust.