



NeroValves GmbH

Industrial Valves: DIN · API · ASME

Nero Butterfly Valves Wafer and Lug Type

Nero Butterfly Valves Wafer type:

Design: body is suitable for installation between flanges
Flanges drilling are according to DIN EN 1092-2 for pressures up to 16 bars

In open position, disc will be right in the middle, allowing best flow condition with minimum pressure loss.
The seat is in U-shape rubber liner, which covers inside of the body, is replaceable and provides a reliable sealing from both directions.



Nero Butterfly Valves LUG Type

Design: body is suitable for installation end of the pipe
Flanges drilling are according to DIN EN 1092-2 for pressures up to 16 bars

In open position, disc will be right in the middle, allowing best flow condition with minimum pressure loss.
The seat is in U-shape rubber liner, which covers inside of the body, is replaceable and provides a reliable sealing from both directions.



GENERAL FEATURES

- Body: EN GJL 250 Cast Iron, Ductile Iron
- Disc: Stainless Steel 304, Stainless Steel 316, Aluminum Bronze
- Stem: Stainless Steel 420, Stainless Steel 316
- Powder Epoxy Coating (Min 250 Microns), Liquid Epoxy for high temperatures
- Seat Options: EPDM, VITON or NBR

TECHNICAL ADVANTAGES

- Very high flow values with 2 pieces stem structure
- Inner and outer surface of the valve is powder epoxy coated
- 3 O-rings on both stems for advanced sealing
- Easy gasket replacing
- Lower torque values can easily operate with Pneumatic or Electrical actuators

Subject to alternation

We reserve the right to make any technical modification. We are not responsible for any error in printing.

Nero Valves GmbH

Mörfelden – Walldorf / Germany

www.nero-valves.com; www.nero-valvesgmbh.de; info@nero-valvesgmbh.de



Member of
German Water
Partnership

Solutions you can trust.



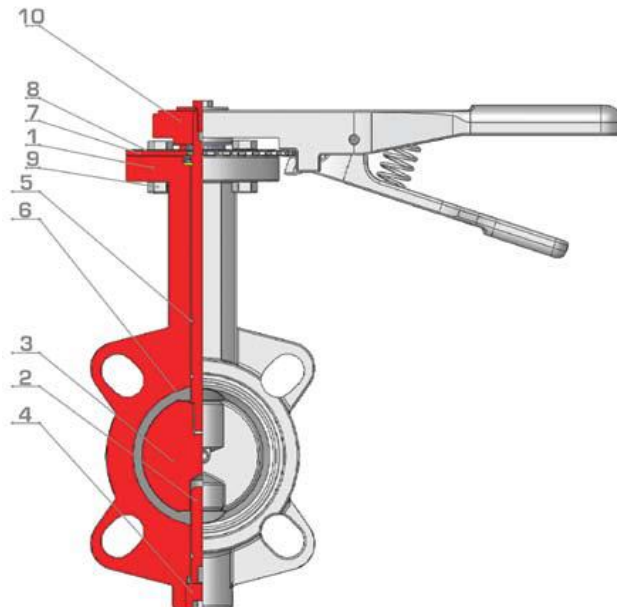
Nero Butterfly Valves Wafer and Lug Type

Coating: the inside and outside of the valves are covered with Electro-static powder coating.

Actuating: With Lever; with handwheel and Gearbox; Electric and Pneumatic actuator

Parts Number and Material

No	Part Number	Material
1	Body	EN GJL 250 Cast Iron, Ductile Iron
2	Disc	EN GJL, Ductile Iron; Stainless steel AISI 304
3	Shaft	Stainless steel AISI 420
4	Bottom Screw Gland	Stainless steel AISI 420
5	O- Rings	EPDM
6	Seat	EPDM (NBR & VITON as per request)
7	Limiting plate	Steel ST 37-2
8	Bolts	Galvanized Steel (Stainless steel per request)
9	Nuts	Galvanized Steel (Stainless steel per request)
10	Hand Lever	Steel 37-2/ Alloy Iron



Torque Values

NM	1.6 MPa					
	DN	Wet	Dry	DN	Wet	Dry
	40	19	21	300	290	517
	50	25	27	350	670	1040
	65	41	49	400	1110	1715
	80	55	65	450	1152	1821
	100	63	79	500	1330	2145
	125	75	103	600	2152	3471
	150	92	111			
	200	155	192			
	250	215	278			

Subject to alternation

We reserve the right to make any technical modification. We are not responsible for any error in printing.

Nero Valves GmbH

Mörfelden – Walldorf / Germany

www.nero-valves.com; www.nero-valvesgmbh.de; info@nero-valvesgmbh.de



Member of
German Water
Partnership

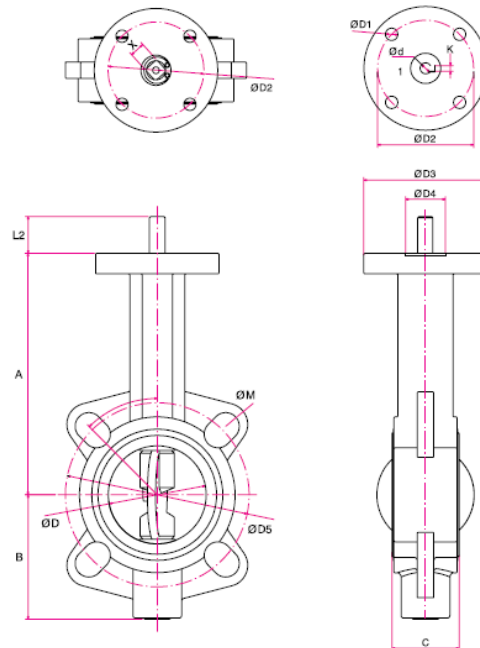
Solutions you can trust.



Nero Butterfly Valves Wafer and Lug Type

Test pressure according to ISO 5208 standard

Nominal pressure in bar	Test pressure with water, (bar)	
	Body	Seal
6	9	6,6
10	15	11
16	24	17,6



Dimension:

DN	A	B	C	ØD	n-ØD1	ØD2	ØD3	ØD4	WAFER		LUG		X	L2	Ød1	K	a	Weight	
									ØD5	ØM	ØD5	ØM						WAFER	LUG
40	138	75	33	45	4-9	70	90	22	110	19	110	M16	11x11	30	-	-	45°	3.60	3.80
50	161	80	43	55	4-9	70	90	22	125	19	125	M16	11x11	30	-	-	45°	4.5	4.80
65	175	91	46	70	4-9	70	90	22	145	19	145	M16	11x11	30	-	-	45°	5.4	5.60
80	181	95	46	80	4-9	70	90	22	160	19	160	M16	11x11	30	-	-	22.5°	5.6	8.90
100	200	115	52	101	4-9	70	90	24.5	180	19	180	M16	14x14	30	-	-	22.5°	6.9	8.50
125	215	134	56	126	4-9	70	90	29.5	210	19	210	M16	14x14	30	-	-	22.5°	10	10.56
150	225	138	56	151	4-9	70	90	29.5	240	23	240	M20	17x17	30	-	-	22.5°	12	12.50
200	241	174	60	200.5	4-11	102	125	35.5	295	23	295	M20	17x17	30	-	-	15°	14.5	17.20
250	296	198	68	250	4-11	102	125	39.5	355	28	355	M24	22x22	30	-	-	15°	32.3	36.00
300	336	234	78	300.5	4-11	102	125	41	410	28	410	M24	22x22	30	-	-	15°	44.5	44.60
350	370	284	78	349	4-13	140	150	72	470	28	470	M24	22x22	46	-	-	11.25°	66	-
400	400	310	88	400	4-18	140	175	73	525	31	525	M27	27x27	46	-	-	11.25°	104	-
450	422	328	112	445	4-18	140	198	100	585	31	585	M27	-	50	38	10	9°	132	-
500	490	390	127	500	4-22	165	210	135	650	34	650	M30	-	48	48	14	9°	157	-
600	575	456	154	600	4-22	165	210	135	770	37	770	M33	-	48	48	14	9°	222	-
700	630	541	165	695	8-18	254	300	-	840	37	840	M33	-	55	60	20	8°	380	-

Other dimension on request

Subject to alternation

We reserve the right to make any technical modification. We are not responsible for any error in printing.

Nero Valves GmbH

Mörfelden – Walldorf / Germany

www.nero-valves.com; www.nero-valvesgmbh.de; info@nero-valvesgmbh.de

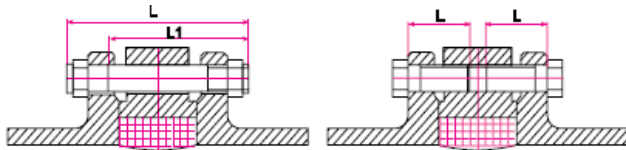


Member of
German Water
Partnership

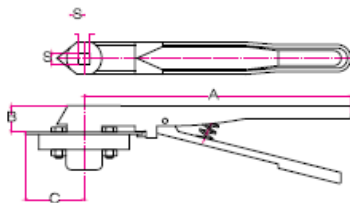
Solutions you can trust.



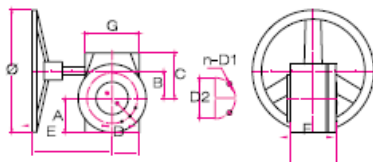
Nero Butterfly Valves Wafer and Lug Type



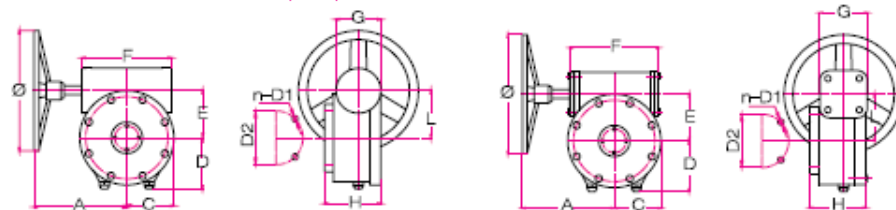
		WAFER TYPE			LUG TYPE	
		STUD			BOLT	
DN	DIAMETER	NUMBER OF STUDS	STUD DIAMETER xL1	STUD LENGTH	NUMBER OF BOLTS	BOLT DIAMETER xL
40	M 16	4	M 16 X 100	120	4x2	M 16 X 30
50	M 16	4	M 16 X 110	130	4x2	M 16 X 40
65	M 16	4	M 16 X 120	140	4x2	M 16 X 45
80	M 16	4	M 16 X 120	140	8x2	M 16 X 45
100	M 16	4	M 16 X 130	150	8x2	M 16 X 50
125	M 16	4	M 16 X 130	150	8x2	M 16 X 50
150	M 20	4	M 20 X 140	165	8x2	M 20 X 50
200	M 20	4	M 20 X 150	175	12x2	M 20 X 55
250	M 24	4	M 24 X 160	185	12x2	M 24 X 60
300	M 24	4	M 24 X 170	200	12x2	M 24 X 65
350	M 24	4	M 24 X 170	200	16x2	M 24 X 65
400	M 27	4	M 27 X 200	230	16x2	M 27 X 75
450	M 27	4	M 27 X 220	254	20x2	M 27 X 80
500	M 30	4	M 30 X 260	294	20x2	M 30 X 90
600	M 30	4	M 33 X 290	334	20x2	M 33 X 100



DN mm	A	B	C	S	Weight
40-80	263	26	55	11x11	1.08
100-125	263	26	55	14x14	1.27
150	263	26	55	17x17	1.25
200	263	26	70	17x17	1.70



DN mm	A	B	C	D	E	F	G	Ø	D2	n-D1	Weight
250	76	76	102	76	205	82	121	298	102	4-M10	8.07
300	80	82	115	60	200	95	138	298	102	4-M10	11.9
350	80	82	115	60	200	95	138	298	125	4-M12	11.9



DN mm	A	C	D	E	F	G	H	L	Ø	D2	n-D1	Weight
400	245	125	100	125	200	72	122	132.5	385	140	4-M16	24.67
450	107.5	100	107.5	180	60	60	123	-	-	-	4-M16	24.67
500-600	211	132.5	112.5	132.5	230	83	122	132.5	385	165	4-M20	33.6
700	183	96.5	95	95	190	110	418	-	380	250	8-M16	43.2

Subject to alternation

We reserve the right to make any technical modification. We are not responsible for any error in printing.

Nero Valves GmbH

Mörfelden – Walldorf / Germany

www.nero-valves.com; www.nero-valvesgmbh.de; info@nero-valvesgmbh.de



Member of
German Water
Partnership

Solutions you can trust.