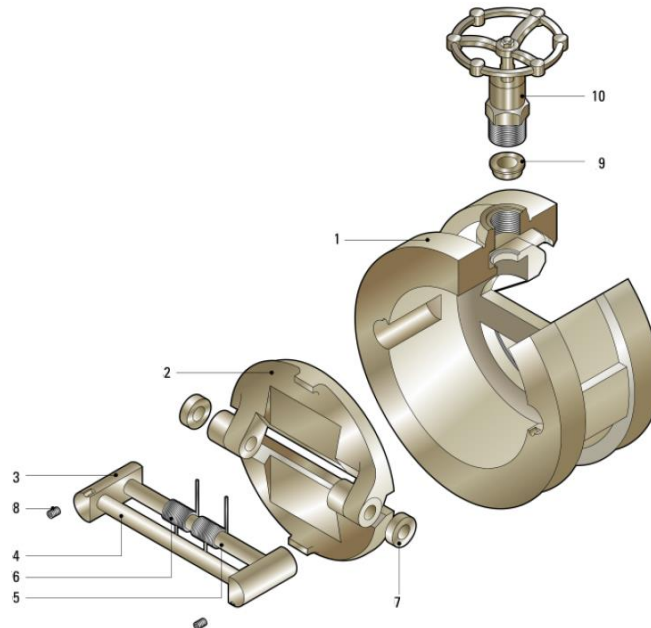




### By- Pass Dual Plate Check Valves



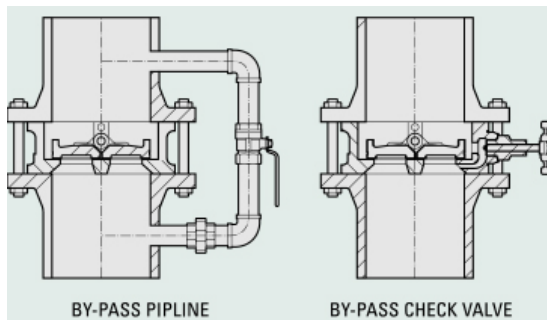
#### Valves Components

Item	parts	Qty.
1.	Body	1
2.	Disc	2
3.	Insert	2
4.	Stop Pin	1
5.	Hinge Pin	1
6.	Spring	1 to 2
7.	Washer	2 to 4
8.	Set Screw	2 or 4
9.	By pass ring	1
10.	Handle	1

#### The Advantage of By- Pass Check valve

The By-pass check valve has his own by-pass that the flow can be to inlet area without any add by-pass pipeline equipment.

This By-pass valve ensures not only to reduce cost but also to prevent the slam in pipe line as removing add by-pass pipe line 's installation



Subject to alternation

We reserve the right to make any technical modification. We are not responsible for any error in printing.



**By- Pass Dual Plate Check Valves  
Wafer type****Performance Standard**

- JIS 2210 KSB 1511- flange dimension
- API 598 Testing
- ANSI B16.34- Wall thickness
- API 605 (B16.47)- Flange Dimension

**Body and Plate Material**

Material	Specification	Material	Specification
Carbon Steel	ASTM A216 WCB	Low Temp. Carbon Steel	ASTM A352 LCB
High Temp. Cr Mo steel	ASTM A217 WC6	Low Temp. carbon steel	ASTM A216 LCC
Low Alloy Steel	ASTM A487 GR 4N	Low Alloy Steel	ASTM A487 GR 4C
Stainless steel 410	ASTM A217CA15	5% Cr. Steel	ASTM A217C5
9% Cr. Steel	ASTM A217C5	Low Temp. 13%Cr4%Ni	ASTM A352 CA6NM
316 Stainless steel	ASTM A182 F316/ A351 CF8M	316 Stainless steel	ASTM A 182 F316L/ A351 CF3M
347 stainless steel (high Temp)	ASTM CF8C	22% Chrome Duplex	ASTM A890 4A
Ferrallium 255-3SC	UNS S32550	25% Chrome supper Duplex	UNS S32760
Alloy 825	UNS N008825	Alloy 625	ASTM A494 CW6MC
Hastelloy C276	ASTM A494 CWRMN	Monel	ASTM A494-M35-2
Nickel Aluminium Bronze	ASTM B148 C95800	Chromium Moly. Steel	AST A217 GR WC9
3,5% Nickel Steel	ASTM A352 LC3	304 Stainless steel	ASTM A351 CF8
304 stainless steel	ASTM A351 CF3	Alloy20	ASTM A351 CN7M
317 Stainless steel	ASTM A352 CG8M	Carbon Moly. Steel	ASTM A352 LC1
Gray Iron	ASTM A126 Class B	Ductile Iron	ASTM 395

**Spring Material:**

- 316 Stainless steel
- Inconel X750
- Inconel 625
- Monel K500
- Carpenter 20

**Seat Material:**

- Buna (NBR)
- EPDM
- PTFE
- Metal Overlay as Body
- Metal to Metal
- Viton
- Neoprene
- Other material on request

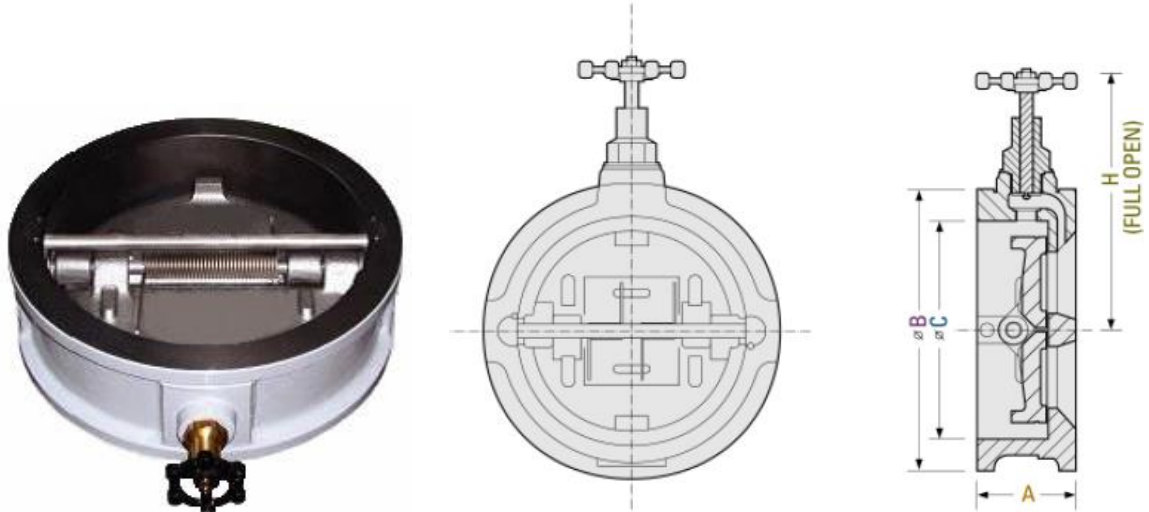
Subject to alternation

We reserve the right to make any technical modification. We are not responsible for any error in printing.





## By- Pass Dual Plate Check Valves Wafer type



Dimension Data (JIS 10K-20K)							Stud Selection			
SIZE in (mm)	Pressure Rating	End Facing	A in (mm)	B in (mm)	C in (mm)	H in (mm)	Q'ty	Dia in (mm)	Length in (mm)	Weight kg
2(50)	10K	RF	54	104	60	138	4	M16	145	2.3
	20K	RF	54	104	60	138	8	M16	150	2.3
2.5(65)	10K	RF	54	124	75	147	4	M16	155	3.5
	20K	RF	60	124	75	147	8	M16	160	3.5
3(80A)	10K	RF	57	134	95	157	4	M16	153	4.5
	20K	RF	67	134	95	157	8	M20	180	4.7
4(100)	10K	RF	64	159	116	168	8	M16	157	5.6
	20K	RF	67	165	116	168	8	M20	185	6.3
5(125)	10K	RF	70	190	145	184	8	M20	178	9.4
	20K	RF	83	203	145	184	8	M22	200	10.3
6(150)	10K	RF	77	220	168	197	8	M20	185	11.6
	20K	RF	95	238	168	197	12	M22	215	15.6
8(200)	10K	RF	96	270	219	219	12	M20	205	20.4
	20K	RF	127	283	219	226	12	M22	250	27.7
10(250)	10K	RF	108	333	273	250	12	M22	228	32.1
	20K	RF	140	356	273	254	12	M24	275	50
12(300)	10K	RF	143	378	322	273	16	M22	264	49.4
	20K	RF	181	406	322	283	16	M24	315	70.2

Subject to alternation

We reserve the right to make any technical modification. We are not responsible for any error in printing.

**Nero Valves GmbH**

Mörfelden – Walldorf / Germany

[www.nero-valves.com](http://www.nero-valves.com); [www.nero-valvesgmbh.de](http://www.nero-valvesgmbh.de); [info@nero-valvesgmbh.de](mailto:info@nero-valvesgmbh.de)



Member of  
German Water  
Partnership

Solutions you can trust.