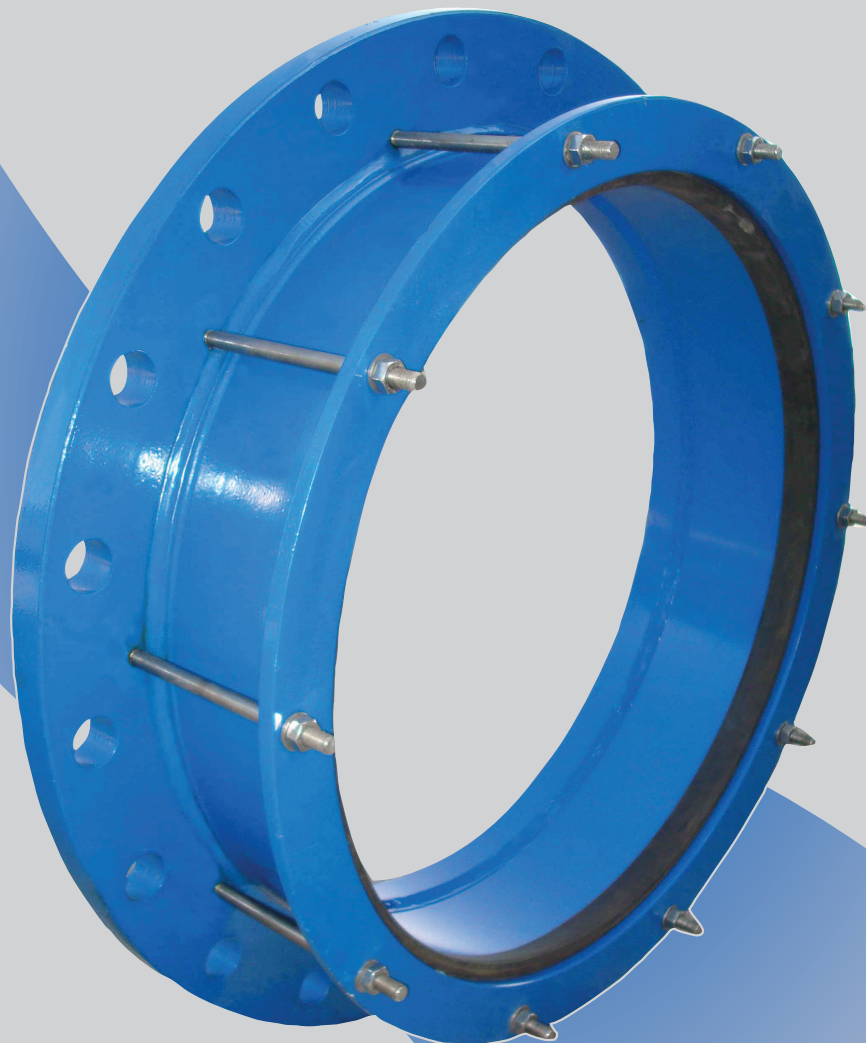




**NeroValves GmbH**

**Flange Adaptor**



## Flange Adaptor

Flange Drilling as per ISO 7005-1( EN 1092 – 1, DIN 2501) Standard

### Features:

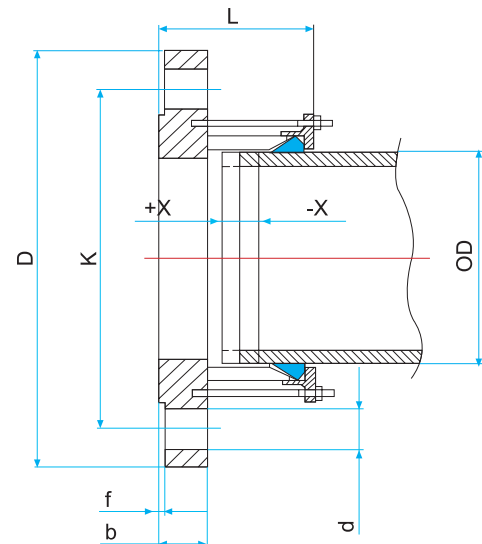
Flange Adaptors use for providing the connection between pipes and valves and also flanged type installation, this product is installable to all kind of pipes such as PVC, PE, GRP, Asbestos and steel.

### Coating:

All parts are coated with electrostatic epoxy powder with minimum 250 micron suitable for potable water.

### Material Specification:

Flangs Socket	Steel/Ductile Iron
Middle Ring	Steel/Ductile Iron
Seal	EPDM or NBR
Rods & Nuts	Galvanized / Stainless Steel



PN 10	DN	D (mm)	K (mm)	No. of holes	Llong (mm)	Lshort (mm)	Stud bolt size	Wlong (kg)	Wshort (kg)
	50	165	125	4	180	90	2-M12	8	7
65	185	145	4	180	90	2-M12	9	8	
80	200	160	8	180	90	4-M12	11	10.5	
100	220	180	8	180	90	4-M12	14	12.5	
125	250	210	8	180	90	4-M12	16	14	
150	285	240	8	185	100	4-M12	23	21	
200	340	295	8	185	100	4-M12	32	30	
250	395	350	12	185	100	6-M12	40	37	
300	445	400	12	185	100	6-M12	47	44	
350	505	460	16	185	100	8-M12	62	57	
400	565	515	16	200	105	8-M12	78	72	
450	615	565	20	200	105	10-M12	90	84	
500	670	620	20	200	105	10-M12	102	96	
600	780	725	20	200	110	10-M12	134	124	
700	895	840	24	200	110	12-M12	165	152	
800	1015	950	24	200	120	12-M12	225	210	
900	1115	1050	28	205	125	14-M12	250	235	
1000	1230	1160	28	205	130	14-M12	300	275	
1200	1455	1380	32	220	140	16-M12	470	440	
1400	1675	1590	36	225	145	18-M12	650	610	
1600	1915	1820	40	225	150	20-M12	950	900	
1800	2115	2020	44	230	155	22-M12	1180	1110	
2000	2325	2230	48	235	165	24-M12	1450	1370	

Specification for sizes larger than 2000mm will be provided as per request.

## Flange Adaptor

Flange Drilling as per ISO 7005-1( EN 1092 – 1, DIN 2501) Standard

### Features:

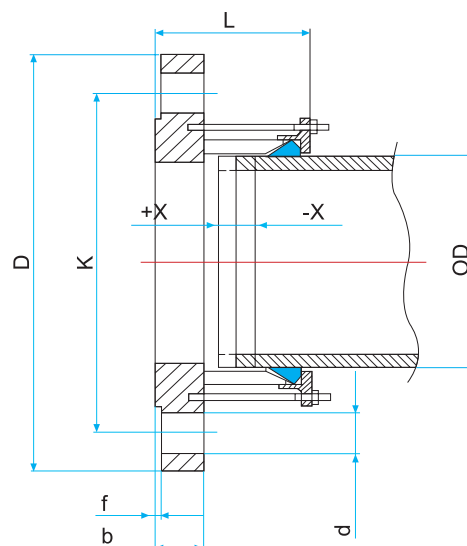
Flange Adaptors use for providing the connection between pipes and valves and also flanged type installation, this product is installable to all kind of pipes such as PVC, PE, GRP, Asbestos and steel.

### Coating:

All parts are coated with electrostatic epoxy powder with minimum 250 micron suitable for potable water.

### Material Specification:

Flangs Socket	Steel/Ductile Iron
Middle Ring	Steel/Ductile Iron
Seal	EPDM or NBR
Rods & Nuts	Galvanized / Stainless Steel



PN 16	DN	D (mm)	K (mm)	No. of holes	Llong (mm)	Lshort (mm)	Stud bolt size	Wlong (kg)	Wshort (kg)
	50	165	125	4	180	90	2-M12	8	7
65	185	145	4	180	90	2-M12	9	8	
80	200	160	8	180	90	4-M12	11	10.5	
100	220	180	8	180	90	4-M12	14	12.5	
125	250	210	8	180	90	4-M12	16	14	
150	285	240	8	185	100	4-M12	23	21	
200	340	295	12	185	100	6-M12	32	30	
250	405	355	12	185	100	6-M12	46	43	
300	460	410	12	190	105	6-M12	58	54	
350	520	470	16	190	105	8-M12	78	73	
400	580	525	16	200	105	8-M12	100	93	
450	640	585	20	205	105	10-M12	120	112	
500	715	650	20	205	105	10-M12	150	140	
600	840	770	20	205	110	10-M12	200	187	
700	910	840	24	205	110	12-M12	225	210	
800	1025	950	24	210	115	12-M12	295	278	
900	1125	1050	28	210	120	14-M16	340	320	
1000	1255	1170	28	215	130	14-M16	460	430	
1200	1485	1390	32	230	140	16-M16	680	640	
1400	1685	1590	36	230	150	18-M16	840	785	
1600	1930	1820	40	240	165	20-M16	1160	1085	
1800	2130	2020	44	240	165	22-M16	1400	1300	
2000	2345	2230	48	245	175	24-M16	1630	1500	

Specification for sizes larger than 2000mm will be provided as per request.

## Flange Adaptor

Flange Drilling as per ISO 7005-1( EN 1092 – 1, DIN 2501) Standard

### Features:

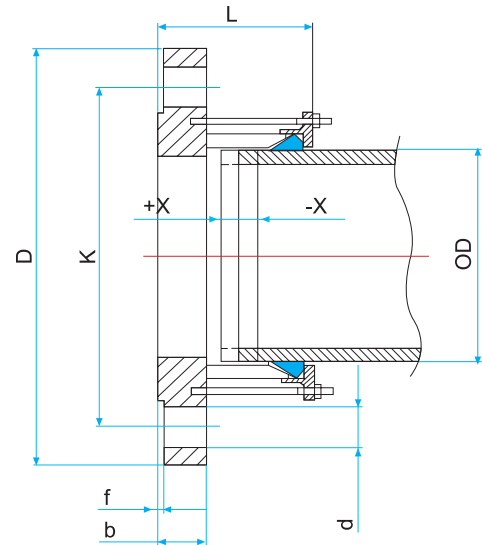
Flange Adaptors use for providing the connection between pipes and valves and also flanged type installation, this product is installable to all kind of pipes such as PVC, PE, GRP, Asbestos and steel.

### Coating:

All parts are coated with electrostatic epoxy powder with minimum 250 micron suitable for potable water.

### Material Specification:

Flangs Socket	Steel/Ductile Iron
Middle Ring	Steel/Ductile Iron
Seal	EPDM or NBR
Rods & Nuts	Galvanized / Stainless Steel



PN 25	DN	D (mm)	K (mm)	No. of holes	Llong (mm)	Lshort (mm)	Stud bolt size	Wlong (kg)	Wshort (kg)
	50	165	125	4	160	90	2-M12	8	7
65	185	145	8	160	90	2-M12	9	8	
80	200	160	8	165	95	4-M12	14	13	
100	235	190	8	165	95	4-M12	20	18	
125	270	220	8	165	95	4-M12	27	24	
150	300	250	8	190	105	4-M12	32	29	
200	360	310	12	190	105	6-M12	47	43	
250	425	370	12	190	105	6-M12	65	60	
300	485	430	16	195	110	6-M12	85	80	
350	555	490	16	200	115	8-M12	125	117	
400	620	550	16	210	115	8-M12	160	150	
450	670	600	20	210	115	10-M12	175	165	
500	730	660	20	215	120	10-M12	202	188	
600	845	770	20	215	120	10-M16	270	250	
700	960	875	24	215	125	12-M16	340	320	
800	1085	990	24	220	140	12-M16	500	460	
900	1185	1090	28	230	150	14-M16	550	520	
1000	1320	1210	28	230	155	14-M16	785	740	
1200	1530	1420	32	250	170	16-M16	1160	1085	
1400	1755	1640	36	255	175	18-M16	1300	1200	
1600	1975	1860	40	265	190	20-M16	1560	1480	
1800	2195	2070	44	270	200	22-M20	1850	1750	
2000	2425	2300	48	275	205	24-M20	2020	1900	

Specification for sizes larger than 2000mm will be provided as per request.



**NeroValves GmbH**

**Industrial Valves: DIN - API - ASME**

Nordend Str. 48  
64546 Morfelden-  
walldorf / Germany

Tel: +49-(0) 6105-408 188-0

Fax: +49-(0) 6105-408 188-5

Email: [info@nero-valvesgmbh.de](mailto:info@nero-valvesgmbh.de)

[www.nero-valvesgmbh.de](http://www.nero-valvesgmbh.de);

[www.nero-valves.com](http://www.nero-valves.com)