



NeroValves GmbH

Industrial Valves: DIN · API · ASME

Nero Steel and HDPE Flap Valves

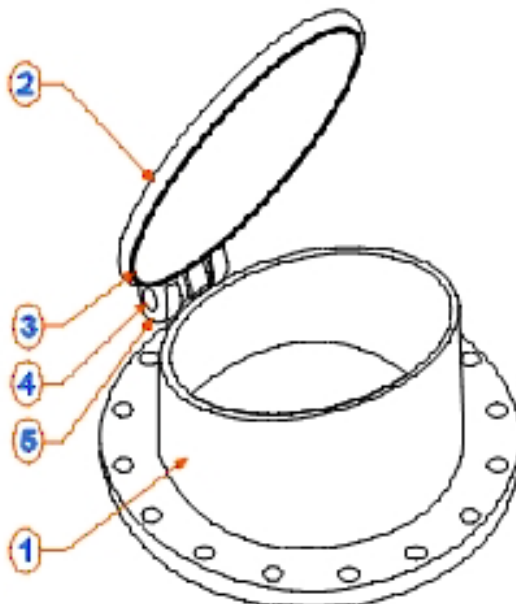
Nero Flap Valve (Non-Return Valves)



Drilling: acc to DIN 2501-ISO 7005-1) EN 1092-1
Coating: Epoxy blue with a thicknesses 250 µm

Material

1. - Body:	ST 37-2 / ST 52-2
2. - Flap:	ST 37-2 / ST 52-2
3. - O- Ring:	NBR or EPDM
4. - Hinge Pin:	Stainless steel 304
5. - Spring Pin:	Stainless steel 304



Subject to alternation

We reserve the right to make any technical modification. We are not responsible for any error in printing.

Nero Valves GmbH

Mörfelden – Walldorf / Germany

www.nero-valves.com; www.nero-valvesgmbh.de; info@nero-valvesgmbh.de

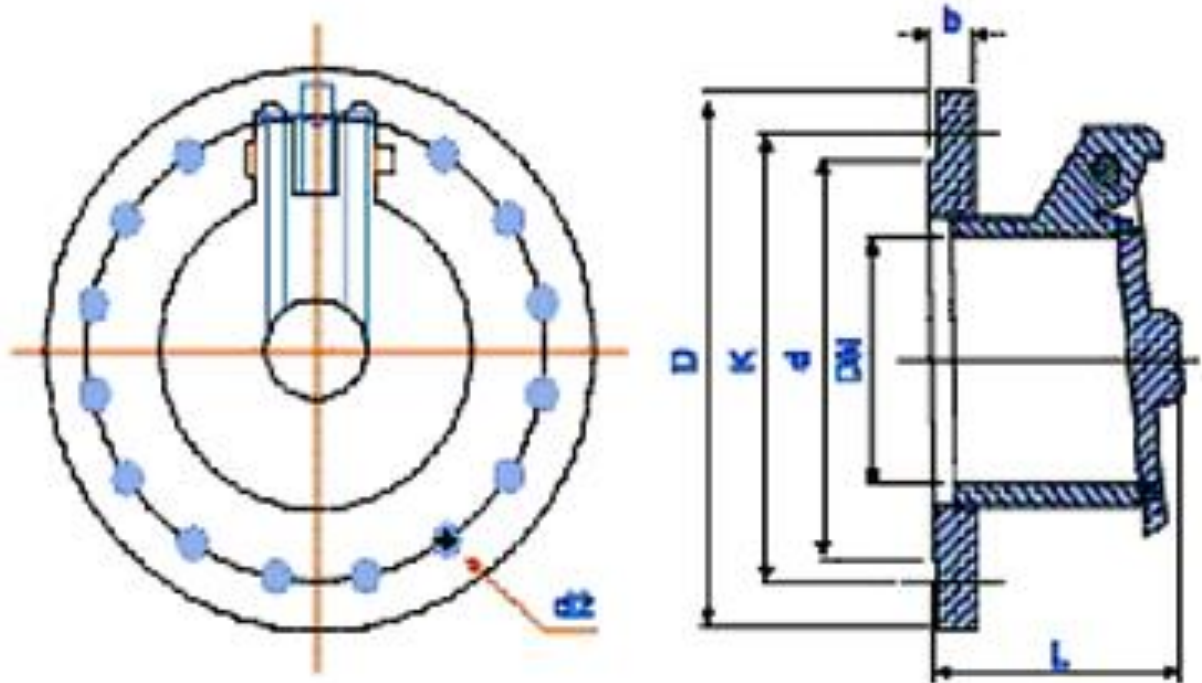


Member of
German Water
Partnership

Solutions you can trust.



Dimension PN 10



DN (mm)	Size (inch)	L(mm)	D(mm)	K(mm)	d(mm)	Drilling
50	2	105	165	125	102	4 (M16)
65	2-1 / 2	105	185	145	122	4 (M16)
80	3	130	200	160	138	8 (M16)
100	4	130	220	180	158	8 (M16)
125	5	130	250	210	188	8 (M16)
150	6	140	285	240	212	8 (M20)
200	8	150	340	295	268	8 (M20)
250	10	190	395	350	320	12 (M20)
300	12	210	445	400	370	12 (M20)
350	14	225	505	460	430	16 (M20)
400	16	220	565	515	482	16 (M24)
450	18	250	615	565	532	20 (M24)
500	20	280	670	620	585	20 (M24)
600	24	310	780	725	685	20 (M27)
700	28	350	895	840	800	24 (M27)
800	32	390	1015	950	902	24 (M30)
900	36	430	1115	1050	1005	28 (M30)
1000	40	470	1230	1160	1110	28 (M33)
1100	44	510	1340	1270	1228	32 (M33)
1200	48	530	1455	1380	1330	32 (M36)

Subject to alternation

We reserve the right to make any technical modification. We are not responsible for any error in printing.

Nero Valves GmbH

Mörfelden – Walldorf / Germany

www.nero-valves.com; www.nero-valvesgmbh.de; info@nero-valvesgmbh.de

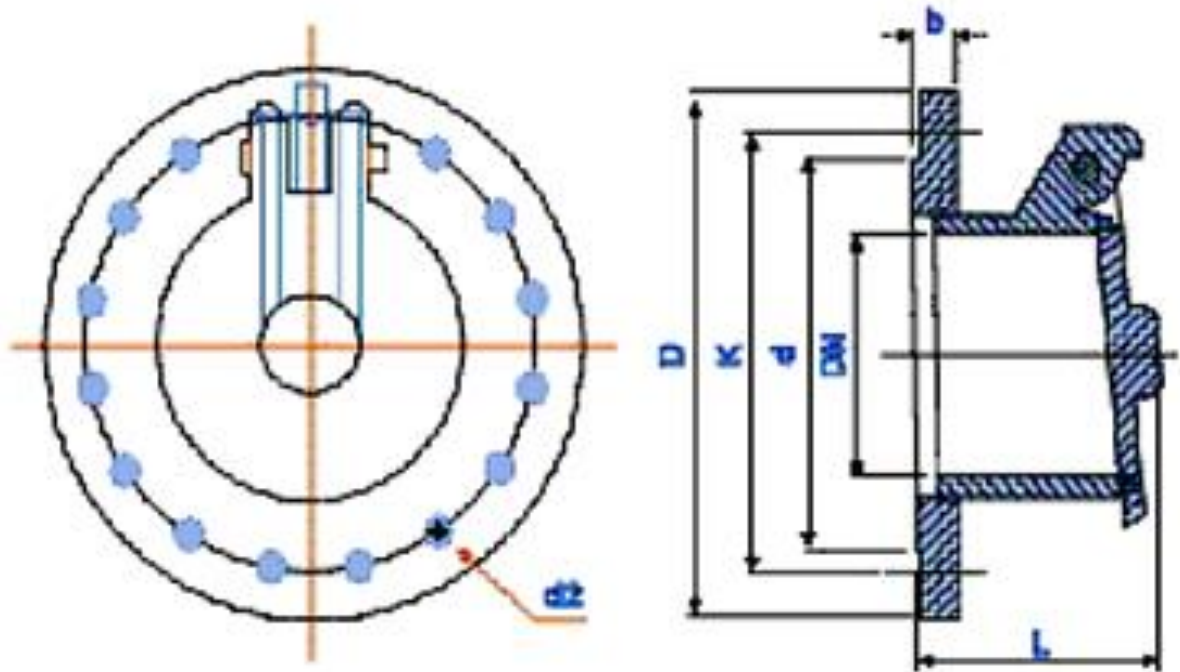


Member of
German Water
Partnership

Solutions you can trust.



Dimension PN 16



DN (mm)	Size (inch)	L(mm)	D(mm)	K(mm)	d(mm)	Drilling
50	2	105	165	125	102	4 (M16)
65	2-1 / 2	105	185	145	122	4 (M16)
80	3	130	200	160	138	8 (M16)
100	4	130	220	180	158	8 (M16)
125	5	130	250	210	188	8 (M16)
150	6	140	285	240	212	8 (M20)
200	8	150	340	295	268	12 (M20)
250	10	190	405	355	320	12 (M24)
300	12	210	460	410	378	12 (M24)
350	14	225	520	470	438	16 (M24)
400	16	220	580	525	490	16 (M27)
450	18	250	640	585	550	20 (M27)
500	20	280	715	650	610	20 (M30)
600	24	310	840	770	725	20 (M33)
700	28	350	910	840	795	24 (M36)
800	32	390	1025	950	900	24 (M36)
900	36	430	1125	1050	1000	28 (M36)
1000	40	470	1255	1170	1115	28 (M39)
1100	44	510	1355	1270	1220	32 (M39)
1200	48	530	1485	1390	1330	32 (M45)

Subject to alternation

We reserve the right to make any technical modification. We are not responsible for any error in printing.

Nero Valves GmbH

Mörfelden – Walldorf / Germany

www.nero-valves.com; www.nero-valvesgmbh.de; info@nero-valvesgmbh.de



Member of
German Water
Partnership

Solutions you can trust.



NeroValves GmbH

Industrial Valves: DIN · API · ASME

Nero Steel and HDPE Flap Valves

Nero HDPE Flap Valves

MATERIALS

All flap valves are made from high quality HDPE materials or a combination of HDPE material and Stainless steel reinforcements

The materials are highly corrosion resistant with a longevity and low maintenance cost.

The valve is made of high quality plastic whereas a steel valve can cause higher hydraulic losses and thus one needs a smaller and cheaper pump on site when applying an HDPE valve.

The hinged pin is adjusted to suit the valve size in order to prevent an oval hole being formed due to higher applying forces.

INDUSTRIAL STANDARDS: DIN 19569-4

ADVANTAGES:

- High duty construction
- Light construction and thus easier installation and cheaper installation costs.
- Minimum maintenance
- Less hydraulic losses

CHARACTERISTICS

Size 125 – 3600mm

Standard 6 mwc

Flange sealed on one side mounting flat structure, PVC, concrete or internal rounded pit



Subject to alternation

We reserve the right to make any technical modification. We are not responsible for any error in printing.

Nero Valves GmbH

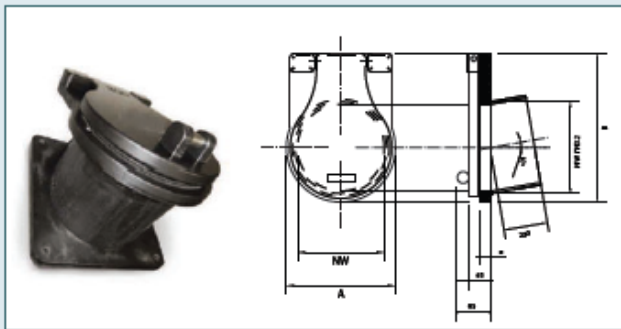
Mörfelden – Walldorf / Germany

www.nero-valves.com; www.nero-valvesgmbh.de; info@nero-valvesgmbh.de



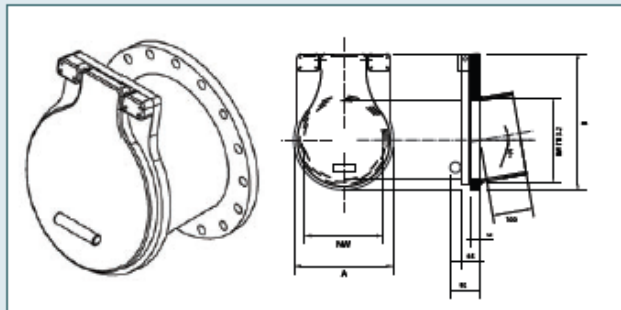
Member of
German Water
Partnership

Solutions you can trust.



TKVA SERIES DN 125 - 300

ØNW	A	B	Pressure	Weight
125	250	303	6 m	5
150	250	320	6 m	6
200	290	368	6 m	7
250	340	420	6 m	9
300	390	470	6 m	10



TKVA SERIES DN 400 - 600

ØNW	A	B	Pressure	Weight
400	490	580	6 m	13
500	590	683	6 m	18
600	690	793	6 m	22

INDUSTRIAL STANDARD

DIN 19569-4

PRESSURE CHARACTERISTICS

6 m

STANDARD CONSTRUCTION MATERIALS

Frame: HDPE -300
 Valve: HMPE - 500
 Sealing: EPDM

OPTIONS

Other sizes up to 600 mm
Square, rectangular or oval

TYPE TKVA-F FLANGE MOUNTED

All TKVA series are available in flange mounting



TYPE TKV-F FLANGE MOUNTED

All TKVA series are available in spigot mounting



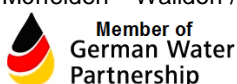
Subject to alternation

We reserve the right to make any technical modification. We are not responsible for any error in printing.

Nero Valves GmbH

Mörfelden – Walldorf / Germany

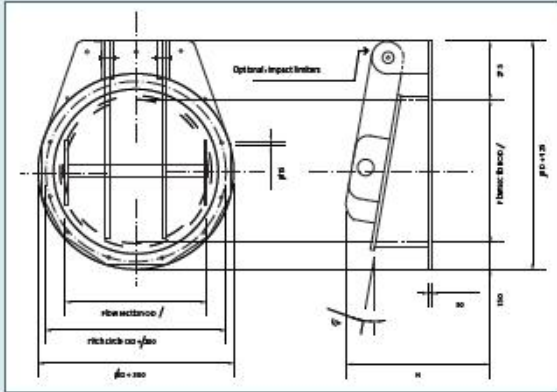
www.nero-valves.com; www.nero-valvesgmbh.de; info@nero-valvesgmbh.de



Solutions you can trust.



TKV SERIES DN 700 - 3600



Ø D	Frame Width	Frame Height	H	Pressure	Weight (kg)
700	1000	1125	460	6 m	55
800	1100	1225	480	6 m	60
900	1200	1325	495	6 m	75
1000	1300	1425	510	6 m	85
1200	project-oriented dependant on head pressure				
1250					
1500					
2000					
2500					
3000					
3600					

INDUSTRIAL STANDARD

DIN 19569-4

PRESSURE CHARACTERISTICS

6 m or project oriented

STANDARD CONSTRUCTION MATERIALS

Frame: HDPE -300

Valve: HDPE - 300

Valve hinge pin: Stainless steel AISI 316

Sealing: EPDM

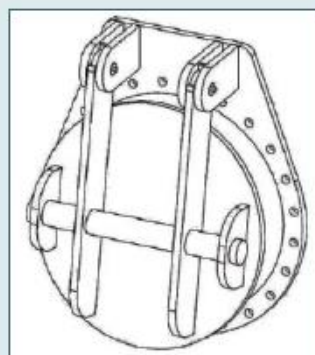
OPTIONS

Other sizes up to 1000 mm
Square, rectangular or oval



TYPE TKV-F FLANGE MOUNTED

All TKV series are available in flange mounting



Subject to alternation

We reserve the right to make any technical modification. We are not responsible for any error in printing.

Nero Valves GmbH

Mörfelden – Walldorf / Germany

www.nero-valves.com; www.nero-valvesgmbh.de; info@nero-valvesgmbh.de



Member of
German Water
Partnership

Solutions you can trust.