



NeroValves GmbH

Industrial Valves: DIN · API · ASME

Nero Gate Valves

Nero Gate Valves

Soft sealing and Metal to Metal Series F4 & F5

Face to Face: Series 14 acc to EN 558-1 (F4) Short

Face to Face: Series 15 acc to EN 558-1 (F5) long



Flanged Standard:

EN 1092-2 / ISO 7005-02

Application:

Shut-off valve, two-way direction. Vertically and horizontally
Working Temperature up to 70° C

Operation:

With T-Key, had wheel, chain wheel,
Electrical and pneumatic actuator

Coating

Electrostatic Epoxy powder, RAL 5005, 250 µm

Advantages:

- Smooth surface seating and not Groove type seating, which avoids settlement of impurities Within the valve
- All inner components in contact with the fluid are made of stainless steel, or cooper alloy
- Low operating torque
- Replaceable stem nut, without dismantling the valve from the pipeline

Subject to alternation

We reserve the right to make any technical modification. We are not responsible for any error in printing.

Nero Valves GmbH

Mörfelden – Walldorf / Germany

www.nero-valves.com; www.nero-valvesgmbh.de; info@nero-valvesgmbh.de

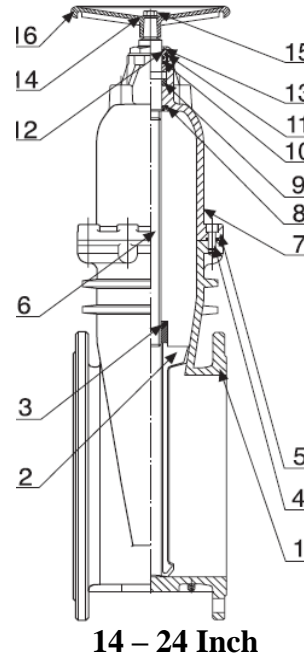
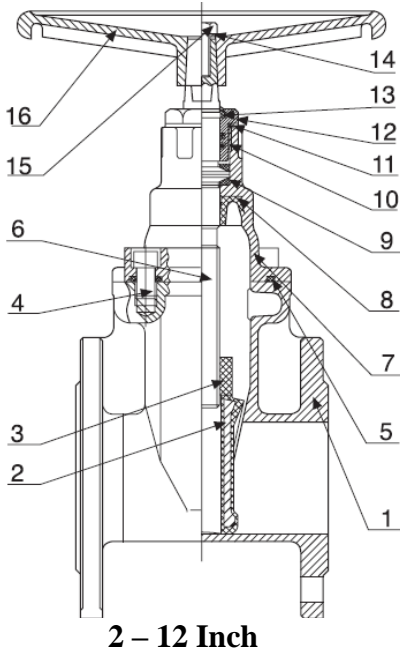


Member of
German Water
Partnership

Solutions you can trust.



Material Specification



Material Specification		
1	Body	Ductile Iron - GGG 40
2	Wedge	Ductile Iron+EPDM
3	Stem nut	Copper alloy
4	Bolts	SS316/Steel zinc plated
5	Bonnet gasket	EPDM
6	Stem	SS416/SS316
7	Bonnet	Ductile iron - GGG 40
8	Water sealed	EPDM
9	Washer	Copper alloy
10	O-ring	EPDM
11	O-ring	EPDM
12	Stem bushing	Copper alloy
13	Ring wiper	EPDM
14	Nut washer	Steel zinc plated
15	Hand wheel screw	Steel zinc plated
16	Hand wheel	Cast Iron

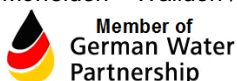
Subject to alternation

We reserve the right to make any technical modification. We are not responsible for any error in printing.

Nero Valves GmbH

Mörfelden – Walldorf / Germany

www.nero-valves.com; www.nero-valvesgmbh.de; info@nero-valvesgmbh.de

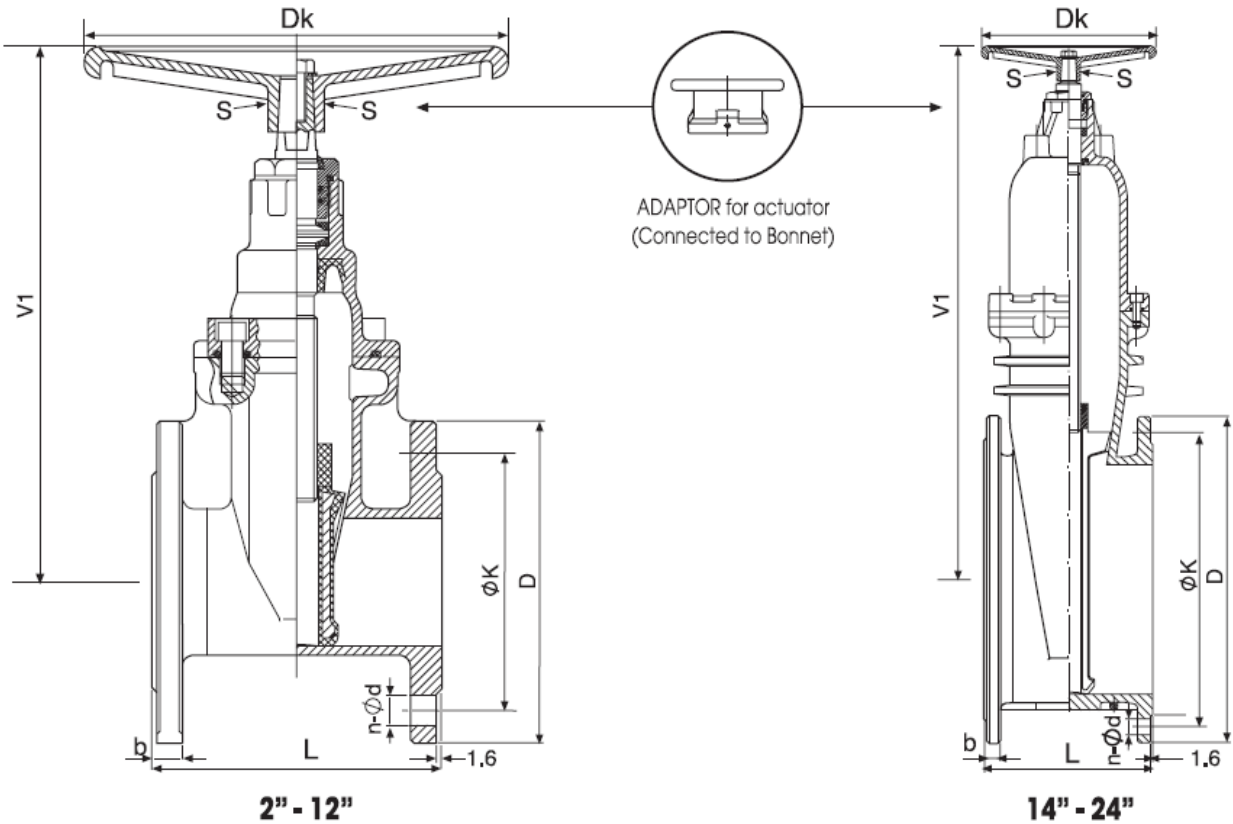


Solutions you can trust.



Nero Gate Valves

Dimensions (mm)



Dimensions

		Dimension	DN											
		mm	50	80	100	150	200	250	300	350	400	450	500	600
		inches	2"	3"	4"	6"	8"	10"	12"	14"	16"	18"	20"	24"
Face to Face	F4	L	150	180	190	210	230	250	270	290	315	330	350	390
	F5		250	280	300	350	400	450	500	550	600	650	700	800
General dimensions		Dk	200	260	260	375	375	400	500	500	500	630	630	630
		S	14,3	17,3	17,3	17,3	24,3	27,3	27,3	27,3	32,3	32,3/40	36,3/40	41,3/40
		V1 Max	400	475	575	700	850	1025	1125	1150	1275	1350	1500	1575
Flange dimensions AS2129-(D) / PN10		b	17	19	19	21	22	25	25	29	29	32	32	35
		D	150	185	215	280	335	405	455	525	580	640	705	825
		d	18	18	18	18	18	22	22	26	26	26	26	30
		k	114	146	178	235	292	356	406	470	521	584	641	756
Flange dimension EN1092-2 / ISO PN16		b	19	19	19	19	20	22	24,5	26,5	28	30	31,5	36
		D	165	200	220	285	340	405	460	520	580	640	715	840
		d	19	19	19	23	23	28	28	28	31	31	34	37
		k	125	160	180	240	295	355	410	470	525	585	650	770
Turns/stroke			7	11	13	16	17	21	25	44	50	57	63	75
Loss Factor			0.17	0.13	0.12	0.11	0.10	0.09	0.07	0.06	0.04	0.03	0.02	0.02
Weight	F4	[Kg]	10.15	16.25	19.6	35	63.1	104.2	156.7	220.5	270	361	541	780
	F5		12	18	21	37	68	115	180	247	317	400	586	910

Subject to alternation

We reserve the right to make any technical modification. We are not responsible for any error in printing.

Nero Valves GmbH

Mörfelden – Walldorf / Germany

www.nero-valves.com; www.nero-valvesgmbh.de; info@nero-valvesgmbh.de



Member of
German Water
Partnership

Solutions you can trust.