

## Nero High Performance Swing Check Valves

### Nero High Performance Swing Check Valves

#### Model and Type

##### Swing Check valve (bolted Cover); Fire Safety Design; and Standard

Applicable code: ASME, API, DIN, BS, AWWA, MSS

Applicable face to Face: ASME, Maker Standard

Applicable Testing: ASME B16.34; API 598; BS 6755

**Size: 2" up to 40" / DN 50 up to DN 1000**

**Pressure rating ASME class 125 up to 600 / DIN PN 10 up to DIN PN 40 bars**

##### Swing Check Valve (pressure seal cover); Fire Safety Design and Standard

Applicable code: ASME, API, DIN, BS, AWWA, MSS

Applicable face to Face: ASME, Maker Standard

Applicable Testing: ASME B16.34; API 598; BS 6755

**Size: 2" up to 40" / DN 50 up to DN 1000**

**Pressure rating ASME class 125 up to class 2500 / PN 10 up to PN 40**

**End Connection:** RF Raised Face Flange / FF - Flat Face Flange

RTJ - Ring Joint Type Flange and BW - Butt weld End

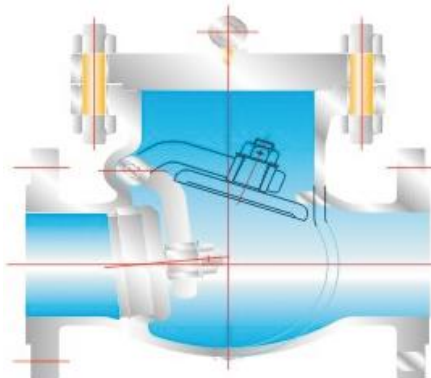
#### Material:

**Disc:** A216 WCB; A217 WCB; A351 CF8; A351 CF8M; A356; B148 and A217 CA15

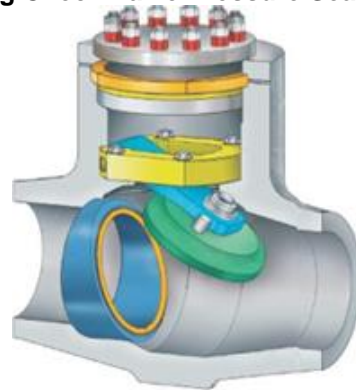
#### Body

Material	Specification	Material	Specification
Carbon Steel	A216 WCB	Alloy 825	UNS N00825
Low Temp. Carbon	A352 LCB	Alloy 625	A494. CW6MC
Low Temp. Carbon	A352 LCC	HASTELLY C276	A494. CW12MW
5% Cr Steel	A217. C5	MONEL 400	A494. M351
9% Cr Steel	A217 C12	Nickel AL- BZ	B148. C95800
Low Temp. 13 Cr 4n	A352. CA6NM	INCONEL 625	A494. CW6MC
410 stainless steel	A217. CA15	Duplex Stainless steel Gr.1	A351. CD4MCu
304 Stainless steel	A351.CF8	Duplex Stainless steel Gr.2	A890.CE8MN
316 Stainless steel	A351.CF8M	Duplex Stainless steel Gr.3	A890 CD6MN
316L Stainless steel	A351.CF3M	Duplex Stainless steel Gr.4	A890 CD3MN
317 Stainless steel	A352.CG8M	Duplex Stainless steel Gr.5	A890 CE3MN
Alloy 20	A351.CN7M	254SMO	A351.CK3MCuN
Grey Iron	A216 CL.B	904L Stainless steel	A351.CN2MCuN
Ductile Iron	A395	Titanium Gr.2	B381.F2

#### Swing Check Valve (Bolted Bonnet)



#### Swing Check Valve Pressure Seal Bolted Cover



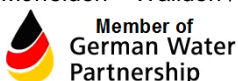
Subject to alternation

We reserve the right to make any technical modification. We are not responsible for any error in printing.

#### Nero Valves GmbH

Mörfelden – Walldorf / Germany

[www.nero-valves.com](http://www.nero-valves.com); [www.nero-valvesgmbh.de](http://www.nero-valvesgmbh.de); [info@nero-valvesgmbh.de](mailto:info@nero-valvesgmbh.de)



Solutions you can trust.



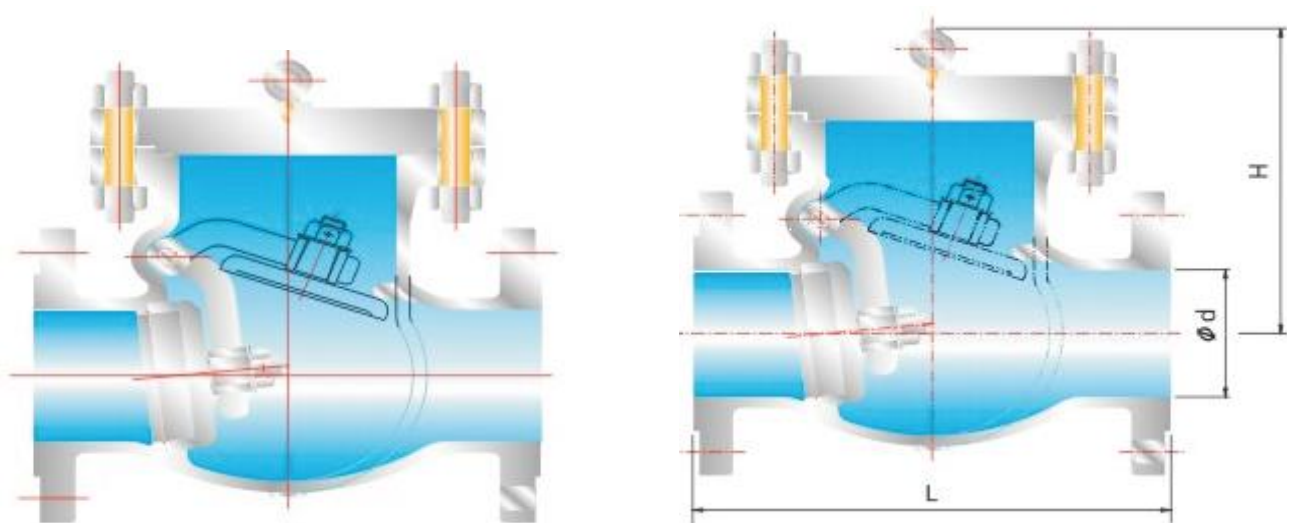
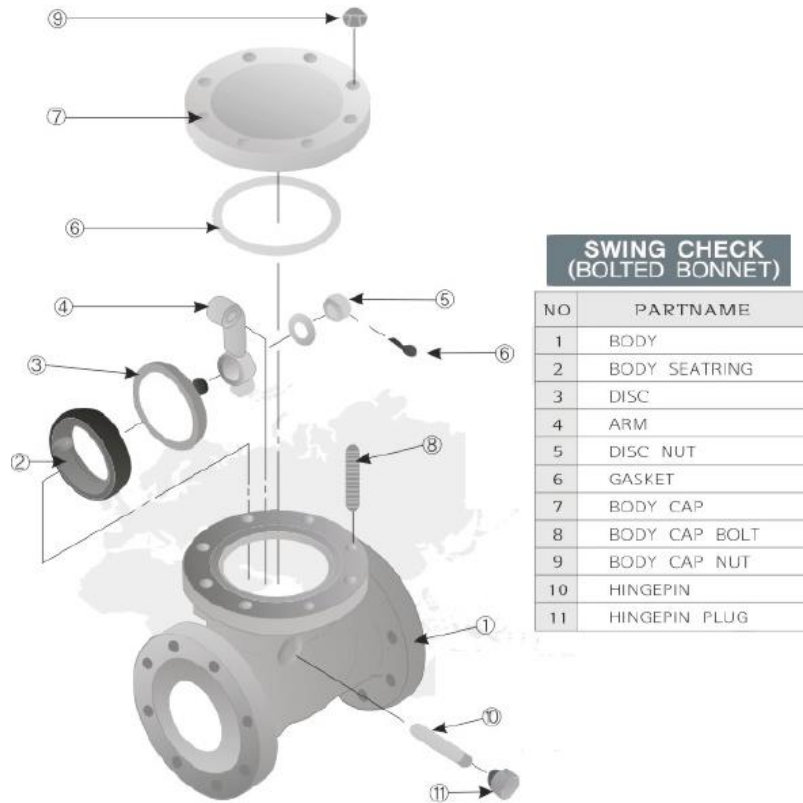
**NeroValves GmbH**

Industrial Valves: DIN · API · ASME

## Nero High Performance Swing Check Valves

### Bolted Bonnet Cover

**Applicable code:** ASME, API, DIN, BS, AWWA, MSS  
**Applicable face to Face:** ASME, Maker Standard  
**Applicable Flange Standard:** ASME, API, DIN, AWWA, MSS  
**Applicable Testing:** ASME B16.34; API 598; BS 6755



Subject to alternation  
 We reserve the right to make any technical modification. We are not responsible for any error in printing.

**Nero Valves GmbH**

Mörfelden – Walldorf / Germany

[www.nero-valves.com](http://www.nero-valves.com); [www.nero-valvesgmbh.de](http://www.nero-valvesgmbh.de); [info@nero-valvesgmbh.de](mailto:info@nero-valvesgmbh.de)



Member of  
German Water  
Partnership

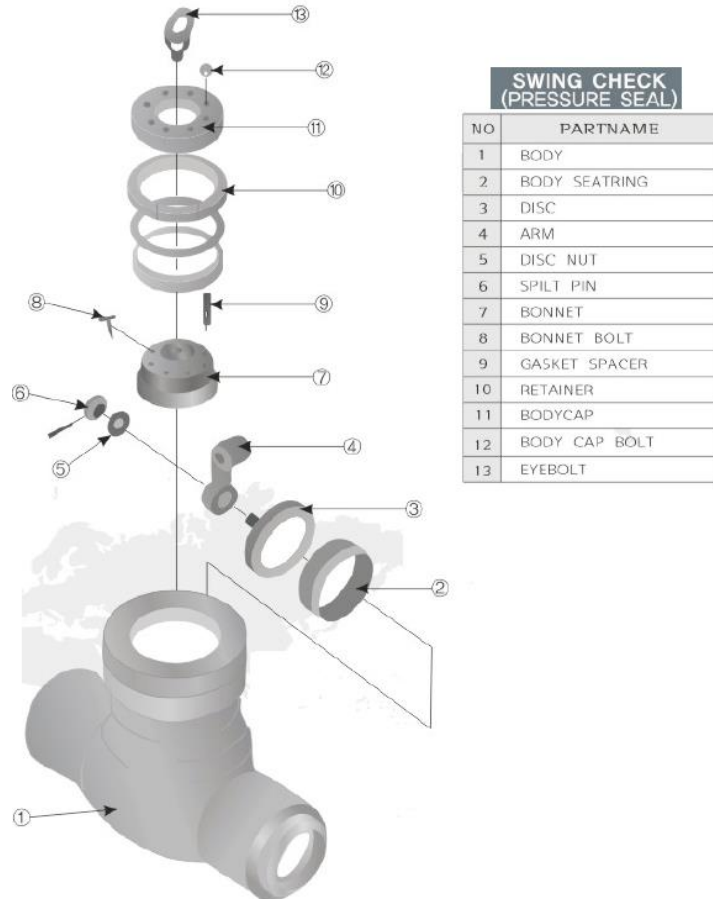
Solutions you can trust.



## Nero High Performance Swing Check Valves

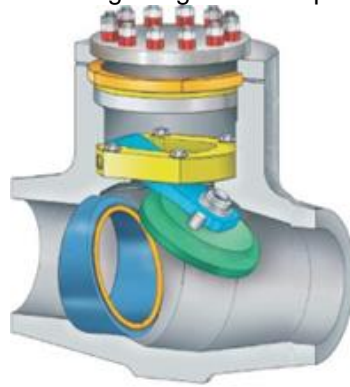
### Pressure Seal Bolted Cover

Additional has Nero Valves unique design as retainer less design body the high pressure required service from class 900 up to class 2500 that does not have any holes bored thought to the body in order to prevent shell leakage problem essentially.



Nero Pressure seal Cover type swing Check valve designed for providing efficient equipment protection against sudden big reverse flow.

Unique compact cage unit design comprised of all moving parts easily accessible for any high pressure service. Also light weighted pressure seal cover enable too tight regardless of pressure- temperature fluctuation



Subject to alternation

We reserve the right to make any technical modification. We are not responsible for any error in printing.

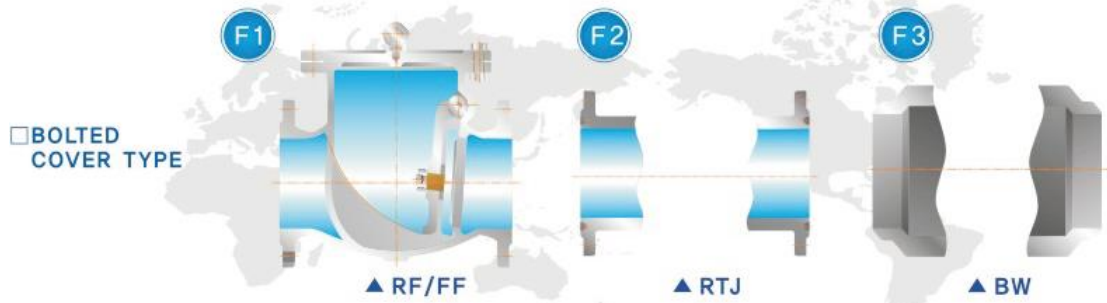




**Nero High Performance Swing Check Valves**

**Feature**

Nero has specialized in swing check valves that customer require many variety of high pressure, extreme corrosion and strict applied services  
 Nero swing check valve has two kinds of design as applied medium pressure required service as bolted cover and as applied high pressure (over class 900) required service as pressure seal cover's design.  
 If the customer want to retainer less design (applied from class 900LBS and above rating) to the 150 – 600 LBS, Nero provide the design as additional service.



**Dimensions Bolted Bonnet:  
Class 150**

Size	in	2	2-1/2	3	4	5	6	8	10	12	14	16	18	20	24	26	28	30	36
	mm	50	65	80	100	125	150	200	250	300	350	400	450	500	600	650	700	750	900
F1 (RF/FF)	in	8	8.5	9.5	11.5	13	14	19.5	24.5	27.5	31	34	38.5	38.5	51	52	57	60	77
	mm	203	216	241	292	330	356	495	622	699	787	864	978	978	1295	1321	1448	1524	1956
F2 (RTJ)	in	8	8.5	9.5	11.5	13	14	19.5	24.5	27.5	31	34	38.5	38.5	51	52	57	60	77
	mm	203	216	241	292	330	356	495	622	699	787	864	978	978	1295	1321	1448	1524	1956
F2 (BW)	in	20	24	35	55	84	96	160	245	345	510	660	850	1050	1450	1750	2050	2350	3350
	mm	18	20	26	37	52	80	133	213	294	440	568	750	920	1270	1650	1950	2250	3150

**Class 300**

Size	in	2	2-1/2	3	4	5	6	8	10	12	14	16	18	20	24	26	28	30	36
	mm	50	65	80	100	125	150	200	250	300	350	400	450	500	600	650	700	750	900
F1 (RF/FF)	in	10.5	11.5	12.5	14	15.8	17.5	21	24.5	28	33	34	38.5	40	53	53	59	62.8	82
	mm	267	292	318	356	401	445	533	622	711	838	864	978	1016	1346	1346	1499	1595	2083
F2 (RTJ)	in	11.1	12.1	13.1	14.6	16.4	18.1	21.6	25.1	28.6	33.6	34.6	39.1	40.8	53.9	54	60	63.8	83
	mm	282	307	333	371	417	460	549	638	726	853	879	993	1036	1369	1372	1524	1621	2108
F2 (BW)	in	10.5	11.5	12.5	14	15.8	17.5	21	24.5	28	33	34	38.5	40	53	53	59	62.8	82
	mm	267	292	318	356	401	445	533	622	711	838	864	978	1016	1346	1346	1499	1595	2083
Weight (kg)	RF	35	37	60	82	110	155	268	380	495	710	950	1200	1350	2200	2500	2800	3400	4580
	BW	30	33	50	65	80	128	230	270	460	555	800	970	1070	1780	2120	2400	2950	4300

**Class 600**

Size	in	2	2-1/2	3	4	5	6	8	10	12	14	16	18	20	24	26	28	30	36
	mm	50	65	80	100	125	150	200	250	300	350	400	450	500	600	650	700	750	900
F1 (RF/FF)	in	11.5	13	14	17	20	22	26	31	33	889	39	43	47	55	57	63	65	
	mm	292	330	356	432	508	559	660	787	838	35.1	991	1092	1194	1397	1448	1600	1651	
F2 (RTJ)	in	11.6	13.1	14.1	17.1	20.1	22.1	26.1	31.1	33.1	892	39.1	43.1	47.3	55.4	57.5	63.5	65.5	
	mm	295	333	358	434	511	561	663	790	841	35	993	1095	1201	1407	1461	1613	1664	
F2 (BW)	in	11.5	13	14	17	20	22	26	31	33	889	39	43	47	55	57	63	65	
	mm	292	330	356	432	508	559	660	787	838	1100	991	1092	1194	1397	1448	1600	1651	
Weight (kg)	RF	40	55	72	120	175	270	420	620	810	880	1450	1800	2100	3000	3500	4100	5000	
	BW	35	45	60	85	125	225	365	500	715		1140	1450	1650	2300	3000	3500	4300	

Other dimensions on request

Subject to alternation

We reserve the right to make any technical modification. We are not responsible for any error in printing.

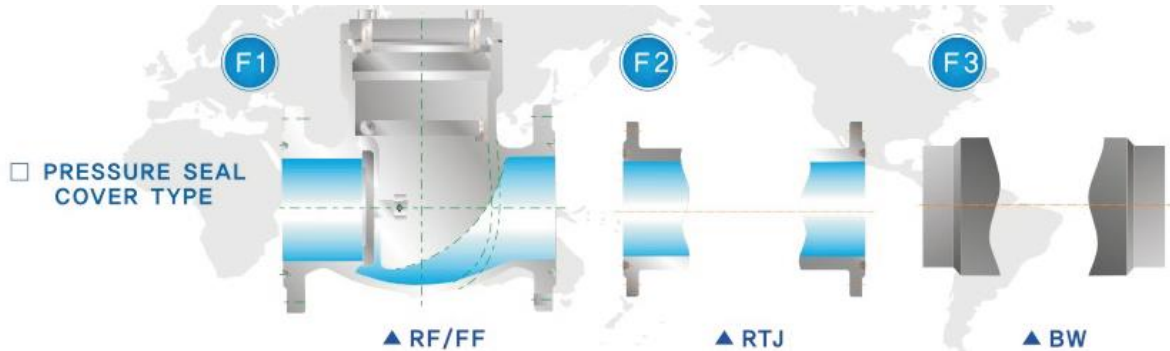






**Nero High Performance Swing Check Valves**

**Dimensions Seal Bolted Cover**



**Class 900**

Size	in	2	2-1/2	3	4	5	6	8	10	12	14	16	18	20	24	26	28	30	36
	mm	50	65	80	100	125	150	200	250	300	350	400	450	500	600	650	700	750	900
F1 (RF/FF)	in	14,5	16,5	15	18	22	24	29	33	38	40,5	44,5	48	52	61	65	69	73	
	mm	368	419	381	457	559	610	737	838	965	1029	1130	1219	1321	1549	1651	1753	1854	
F2 (RTJ)	in	14,6	16,6	15,1	18,1	22,1	24,1	29,1	33,1	38,1	40,9	44,9	48,5	52,5	61,8	65,9	69,9	73,9	
	mm	371	422	384	460	561	612	739	841	968	1039	1140	1232	1334	1570	1674	1775	1877	
F2 (BW)	in	8,5	10	12	14	17	20	26	31	36	39	43	48	52	61	63	67	71	
	mm	216	254	305	356	432	508	660	787	914	991	1092	1219	1321	1549	1600	1702	1803	
Weight (kg)	RF	40	55	52	105	165	230	570	850	1300	1550	1650	2300	3000	4100	4600	5200	6000	
	BW	25	38	35	70	100	160	440	690	1020	1220	1350	1850	2400	2900	3600	4000	4600	

**Class 1500**

Size	in	2	2-1/2	3	4	5	6	8	10	12	14	16	18	20	24	26	28	30	36
	mm	50	65	80	100	125	150	200	250	300	350	400	450	500	600	650	700	750	900
F1 (RF/FF)	in	14,5	16,5	18,5	21,5	26,5	27,8	32,8	39	44,5	49,5	54,5	60,5	61,5	76,5				
	mm	368	419	470	546	673	706	833	991	1130	1257	1384	1537	1562	1943				
F2 (RTJ)	in	14,6	16,6	18,6	21,6	26,6	28	33,1	39,4	45,1	50,3	55,4	61,4	66,4	77,6				
	mm	371	422	472	549	676	711	841	1001	1146	1278	1407	1560	1687	1971				
F2 (BW)	in	8,5	10	12	16	19	22	28	34	39	42	47	60,5	65,5	76,5				
	mm	216	254	305	406	483	559	711	864	991	1067	1194	1537	1664	1943				
Weight (kg)	RF	40	55	100	140	250	400	610	1050	1550	2100	2600	3300	4200	6000				
	BW	27	39	40	75	135	280	480	740	1100	1410	1600	2100	2600	3500				

**Class 2500**

Size	in	2	2-1/2	3	4	5	6	8	10	12	14	16	18	20	24	26	28	30	36
	mm	50	65	80	100	125	150	200	250	300	350	400	450	500	600	650	700	750	900
F1 (RF/FF)	in	17,8	20	22,8	26,5	31,3	36	40,3	50	56									
	mm	452	508	579	673	795	914	1024	1270	1422									
F2 (RTJ)	in	17,9	20,3	23	26,9	31,8	36,5	40,9	50,9	56,9									
	mm	455	516	584	683	808	927	1039	1293	1445									
F2 (BW)	in	11	13	14,5	18	21	24	30	36	41	44	49	55	61	68				
	mm	279	330	368	457	533	610	762	914	1041	1118	1245	1397	1549	1727				
Weight (kg)	RF	85	118	155	285	495	750	1350	2150	3000									
	BW	50	70	85	165	305	460	900	1300	1800	2450	3200	4050	5000	7200				

Other dimensions on request

Subject to alternation

We reserve the right to make any technical modification. We are not responsible for any error in printing.

**Nero Valves GmbH**

Mörfelden – Walldorf / Germany

[www.nero-valves.com](http://www.nero-valves.com); [www.nero-valvesgmbh.de](http://www.nero-valvesgmbh.de); [info@nero-valvesgmbh.de](mailto:info@nero-valvesgmbh.de)



Member of  
German Water  
Partnership

Solutions you can trust.