



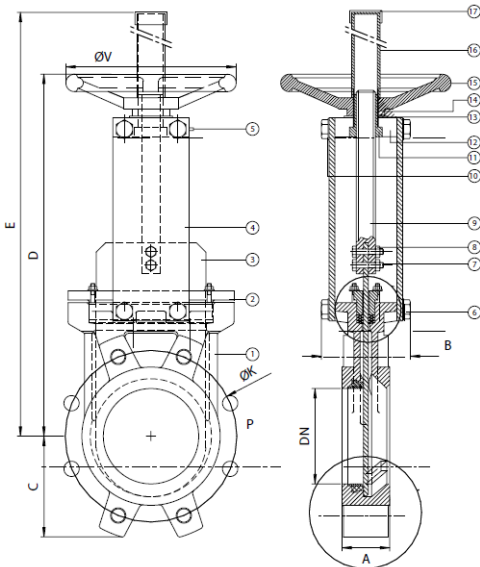
Nero Knife Gate Valves

Nero Knife Gate Valve

Application: Water supply and distribution, waste water treatment and sewerage
Surface protection: Coating process with epoxy powder RAL 5015, minimum thickness of 200 µm
Flanges drilling: according to EN1092-2/ DIN 2501/ ISO PN10



Rising Stem



Material

		GG25 type	Stainless steel type
1	Body	GG25	1.4408/CF8M
2	Packing gland	Aluminium	1.4408/SS316
3	Gate	1.4301/SS304	1.4408/SS316
4	Support plates	Steel	Steel
5	Greaser	Aluminium	Aluminium
6	Nuts	Steel	Stainless steel
7	Nuts	Steel	Stainless steel
8	Nuts	Steel	Stainless steel
9	Shaft	1.4301/SS304	1.4301/SS304
10	Washer	Steel	Stainless steel
11	Actuator nut	Bronze	Bronze
12	Bridge	Steel	Steel
13	Washer	Brass	Brass
14	Prisoner	Inox	Inox
15	Handwheel	GG25	GG25
16	Tube	Steel	Steel
17	Cover	Plastic	Plastic

Dimensions

DN	INCH	A	B	C	D	D1	V	E	Kg
50	2"	40	92	63	295	200	200	417	7
65	2 1/2"	40	92	70	320	200	200	442	8
80	3"	50	92	92	346	200	200	469	9
100	4"	50	92	105	386	200	200	509	11
125	5"	50	102	120	420	250	250	593	15
150	6"	60	102	130	471	250	250	644	18
200	8"	60	119	160	582	300	300	825	30
250	10"	70	119	198	683	300	300	1026	44
300	12"	70	119	234	790	300	300	1126	58
350	14"	96	194	256	907	400	400	1357	96
400	16"	100	194	292	1014	400	400	1463	124
450	18"	106	290	308	1106	500	500	1651	168
500	20"	110	290	340	1211	500	500	1756	192
600	24"	110	290	400	1417	500	500	2062	245
700	28"	110	300	452	1675	600	600	2440	405
800	32"	110	300	505	1887	600	600	2665	455
900	36"	110	350	555		600	600		512
1000	40"	110	350	610					680
1200	48"	150	400	725					865

Subject to alternation

We reserve the right to make any technical modification. We are not responsible for any error in printing.

Nero Valves GmbH

Mörfelden – Walldorf / Germany

www.nero-valves.com; www.nero-valvesgmbh.de; info@nero-valvesgmbh.de



Member of
German Water
Partnership

Solutions you can trust.

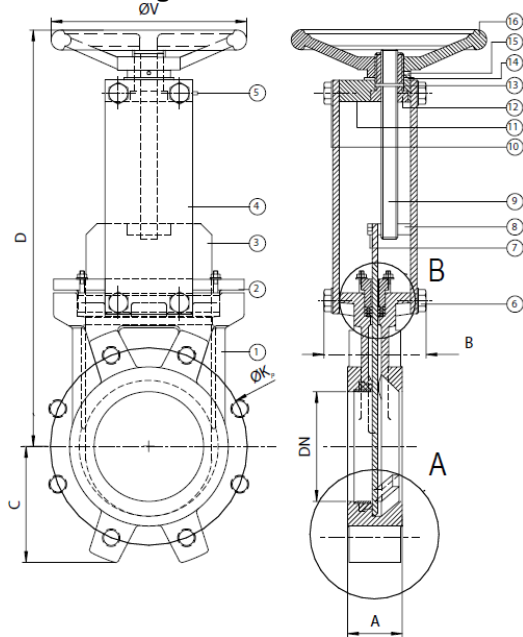


Nero Knife Gate Valves

Nero Knife Gate Valve

Application: Water supply and distribution, waste water treatment and sewerage
Surface protection: Coating process with epoxy powder RAL 5015, minimum thickness of 200 µm
Flanges drilling: according to EN1092-2/ DIN 2501/ ISO PN10

NON - Rising Stem



Stem Material

		GG25 type	Stainless steel type
1	Body	GG25	1.4408/CF8M
2	Packing gland	Aluminium	1.4408/SS316
3	Gate	1.4301/SS304	1.4408/SS316
4	Support plates	Steel	Steel
5	Greaser	Aluminium	Aluminium
6	Bolts	Steel	Stainless steel
7	Manoeuvring bolt	Steel	Steel
8	Manoeuvring plug	Bronze	Bronze
9	Shaft	1.4301/SS304	1.4301/SS304
10	Washer	Steel	Stainless steel
11	Manoeuvring support	Steel	Bronze
12	Manoeuvring nut	Steel	Steel
13	Stop screw	1.4301/SS304	1.4301/SS304
14	Washer	Brass	Brass
15	Pin	1.4301/SS304	1.4301/SS304
16	Handwheel	GG25	Steel

Dimensions

DN	INCH	A	B	C	D	D1	V	E	Kg
50	2"	40	92	63	295	200	200	417	7
65	2 1/2"	40	92	70	320	200	200	442	8
80	3"	50	92	92	346	200	200	469	9
100	4"	50	92	105	386	200	200	509	11
125	5"	50	102	120	420	250	250	593	15
150	6"	60	102	130	471	250	250	644	18
200	8"	60	119	160	582	300	300	825	30
250	10"	70	119	198	683	300	300	1026	44
300	12"	70	119	234	790	300	300	1126	58
350	14"	96	194	256	907	400	400	1357	96
400	16"	100	194	292	1014	400	400	1463	124
450	18"	106	290	308	1106	500	500	1651	168
500	20"	110	290	340	1211	500	500	1756	192
600	24"	110	290	400	1417	500	500	2062	245

Pressure:

DN 50 – DN 250: 10 bar
 DN 500 – DN 600: 4 bar

DN 300 – DN 400: 6 bar
 DN 700 – DN 1200: 2 bar

DN 450: 5 bar

Subject to alternation

We reserve the right to make any technical modification. We are not responsible for any error in printing.

Nero Valves GmbH

Mörfelden – Walldorf / Germany

www.nero-valves.com; www.nero-valvesgmbh.de; info@nero-valvesgmbh.de



Member of
 German Water
 Partnership

Solutions you can trust.