



NeroValves GmbH

Industrial Valves: DIN · API · ASME

Nero Non Return check valve with Lever and Counterweight

Nero Non-return check valves with Lever and Counterweight

Performance:

Operation of Nero NON Return Check Valve complies with that of any usual check valve
The Flow keeps the double offset valve disc in open position.
The degree of the opening depends on the flow velocity.
When the flow is interrupted, the disc closes preventing flow reversal.

Design:

- Reliable design.
- Eccentric disc operation.
- Body seat ring made of corrosion resistant steel.
- Disc seat ring is corrosion resistant steel with seal for reliable sealing.
- Possibility for installation of weight and lever on both sides.
- Low weight for short length of the valves.
- Maintenance free.
- Rugged body with disc suitable for fluid flow
- Disc and shaft are connected by key.
- Seat ring rolled into the body.

Face to face according to DIN EN 558-1, series 14 (DIN 3202- F4)

Flanges according to DIN 1092-2 (DIN 2501)

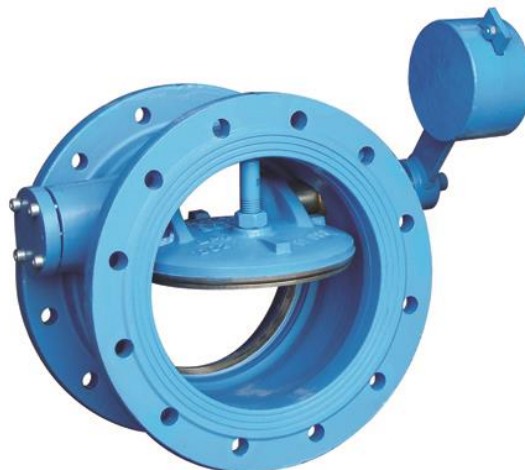
Size: DN 150 - DN 1200 mm

Pressure rating: PN 6 up to PN 25 bars

Application:

The NON-Return check valves are used in water supply installations to stop the fluid flow in the opposite
Range of application: for fluids such as water and temperatures up to 70°C.

Coating: all casting parts are coated with electrostatic epoxy powder with a minimum thickness 250 µm.



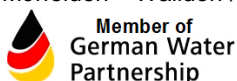
Subject to alternation

We reserve the right to make any technical modification. We are not responsible for any error in printing.

Nero Valves GmbH

Mörfelden – Walldorf / Germany

www.nero-valves.com; www.nero-valvesgmbh.de; info@nero-valvesgmbh.de



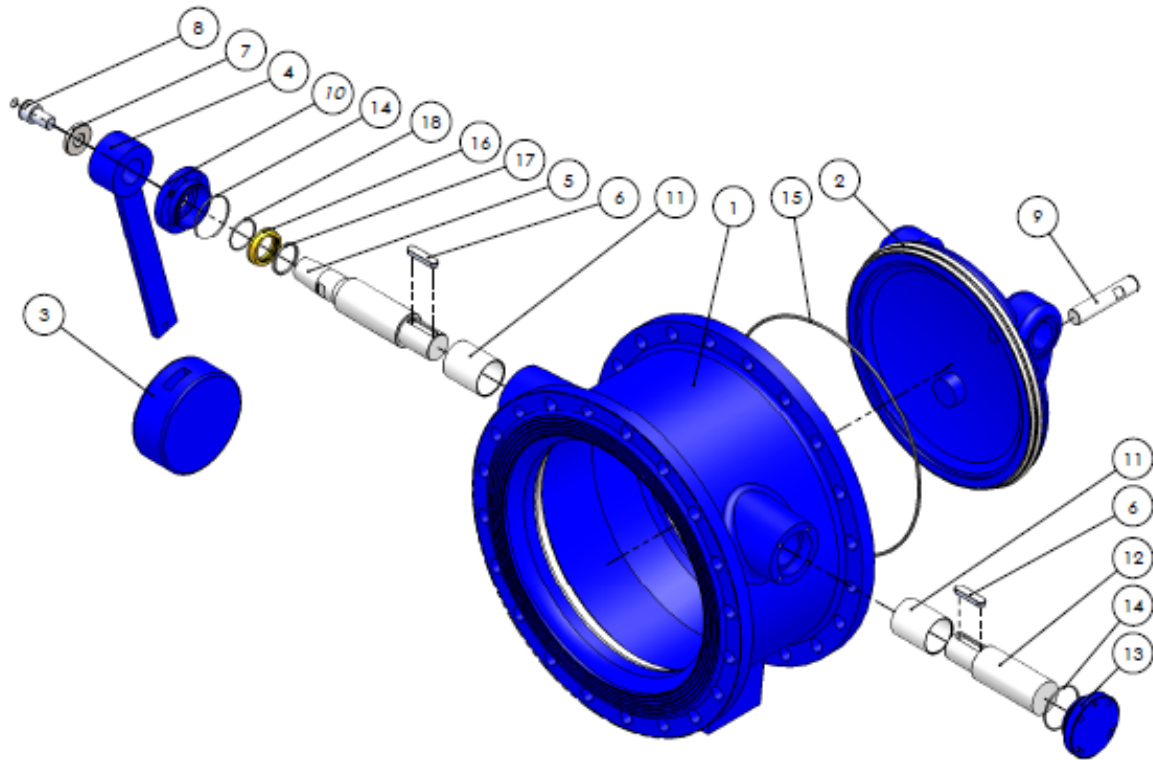
Member of
German Water
Partnership

Solutions you can trust.



Nero Non-return check valves with Lever and Counterweight

Thoroughly developed design



Materials:

Item	Description	Material
1.	Body	Ductile Iron GGG 400-10
2.	Seat	Stainless steel X20Cr13 (Austenitic CrNi Steel)
3.	Weight lever	Steel RST37-2
4.	Weight	cast iron
5.	Shaft lever end	Stainless steel 1.4021(Ferritic chrome steel
6.	Key	Stainless steel 1.4301
7.	Washer	Stainless steel A2
8.	Hex socket head screw	Galvanized steel
9.	Stopper	Stainless steel 1.4021(Ferritic chrome steel
10.	Bearing Cover (open)	Steel
11.	Bearing bushes	PTFE
12.	Shaft free end	Stainless steel 1.4021(Ferritic chrome steel
13.	Bearing Cover (close)	Steel
14.	O-ring	NBR / EPDM
15.	O-ring	NBR / EPDM
16.	Sealing ring	Brass
17.	O-ring	NBR / EPDM
18.	O-ring	NBR / EPDM

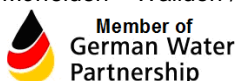
Subject to alternation

We reserve the right to make any technical modification. We are not responsible for any error in printing.

Nero Valves GmbH

Mörfelden – Walldorf / Germany

www.nero-valves.com; www.nero-valvesgmbh.de; info@nero-valvesgmbh.de



Solutions you can trust.



Nero Non-return check valves PN 10

With Lever and Counterweight of ductile cast Iron

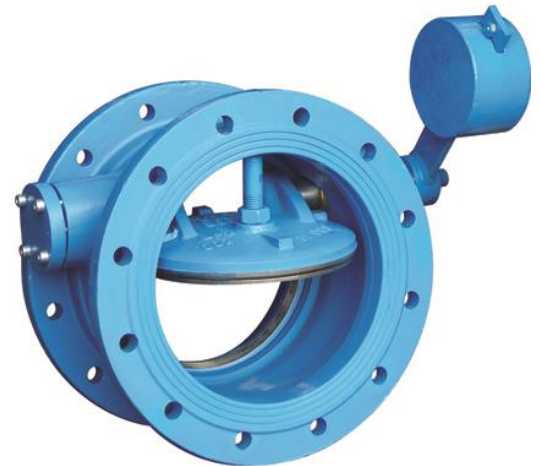
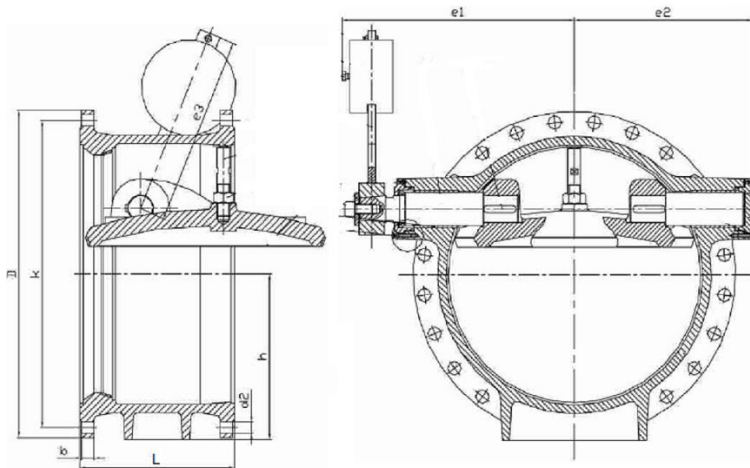
Range of application		Hydrostatic test pressure according to EN 12266			
		Water			
Size	Pressure rating	Hydro test pressure in bars For		Maximal Working pressure in bars	
DN	PN	Body	Seat	at 70°C	
150 - 1000	10	15	11	10	

Materials/Equipment

Body: Ductile Iron GGG 400-10
 Body seat: Stainless steel X20Cr13
 Valve Disc: Ductile Iron GGG 400-10
 Bearing bush: Bronze
 Coating: **Epoxy Powder** coating Min. thicknesses 250µ

Materials/Equipment

Sealing ring: Elastomer: EPDM/NBR
 Sealing of shaft bore: O-ring: EPDM /NBR
 Valve shaft: Stainless steel 1.4021



Dimensions:

DN	L	D	e1	e2	e3	h	K	No of holes	d2	b	Weight
	mm	mm	mm	mm	mm	mm	mm	n	mm	mm	Kg
200	230	340	250	170	250		295	8	23	26	60
250	250	395	295	205	250		350	12	23	28	85
300	270	445	360	245	300		400	12	23	28	106
350	290	505	395	280	300		460	16	23	30	150
400	310	565	440	310	300	295	515	16	28	32	180
500	350	670	475	365	400	365	620	20	28	34	270
600	390	780	550	425	500	425	725	20	31	36	410
700	430	895	620	500	600	460	840	24	31	40	560
800	470	1015	700	560	660	520	950	24	34	44	770
900	510	1115	745	595	660	570	1050	28	34	46	920
1000	550	1230	915	645	740	635	1160	28	37	50	1230

Other dimensions upon request

Subject to alternation

We reserve the right to make any technical modification. We are not responsible for any error in printing.

Nero Valves GmbH

Mörfelden – Walldorf / Germany

www.nero-valves.com; www.nero-valvesgmbh.de; info@nero-valvesgmbh.de



Member of
German Water
Partnership

Solutions you can trust.



Nero Non-return check valves PN 16

With Lever and Counterweight of ductile cast Iron

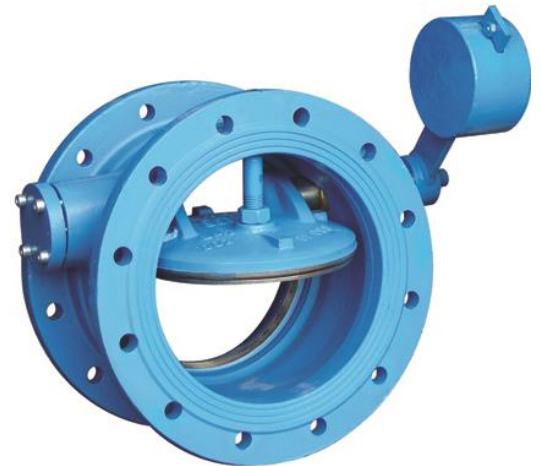
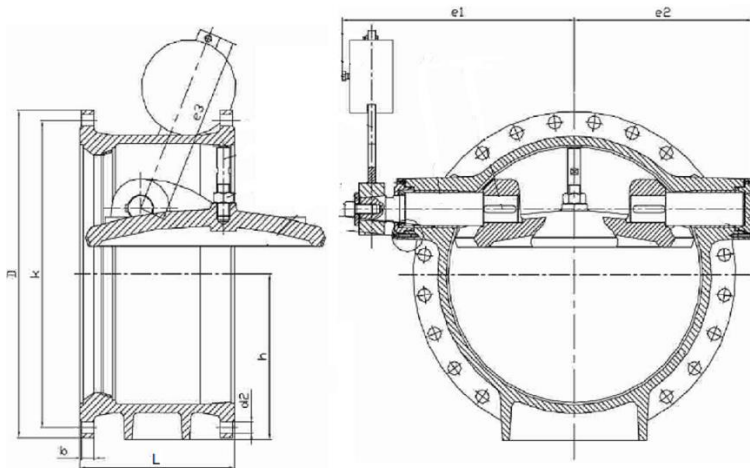
Range of application		Hydrostatic test pressure according to EN 12266			
		Water			
Size	Pressure rating	Hydro test pressure in bars For		Maximal Working pressure in bars	
DN	PN	Body	Seat	at 70°C	
150 - 1000	16	24	17,6	16	

Materials/Equipment

Body: Ductile Iron GGG 400-10
 Body seat: Stainless steel X20Cr13
 Valve Disc: Ductile Iron GGG 400-10
 Bearing bush: Bronze
 Coating: **Epoxy Powder** coating Min. thicknesses 250µ

Materials/Equipment

Sealing ring: Elastomer: EPDM/NBR
 Sealing of shaft bore: O-ring: EPDM /NBR
 Valve shaft: Stainless steel 1.4021



Dimensions:

DN	L	D	e1	e2	e3	h	K	No of holes	d2	b	Weight
	mm	mm	mm	mm	mm	mm	mm	n	mm	mm	Kg
200	230	340	250	170	250		295	12	23	30	60
250	250	405	295	205	250		355	12	28	32	90
300	270	460	360	245	300		410	12	28	32	123
350	290	520	395	280	300		470	16	28	36	170
400	310	580	440	310	300	295	525	16	31	38	220
500	350	715	475	365	400	365	650	20	34	42	335
600	390	840	550	425	500	425	770	20	37	48	535
700	430	910	620	500	600	460	840	24	37	54	670
800	470	1025	700	560	660	520	950	24	41	58	880
900	510	1125	745	595	660	570	1050	28	41	62	1080
1000	550	1255	915	645	740	635	1170	28	44	66	1455

Other dimensions upon request

Subject to alternation

We reserve the right to make any technical modification. We are not responsible for any error in printing.

Nero Valves GmbH

Mörfelden – Walldorf / Germany

www.nero-valves.com; www.nero-valvesgmbh.de; info@nero-valvesgmbh.de



Member of
German Water
Partnership

Solutions you can trust.



NeroValves GmbH

Industrial Valves: DIN · API · ASME

Nero Non Return check valve with Lever and Counterweight

Nero Non-return check valves PN 25

With Lever and Counterweight of ductile cast Iron

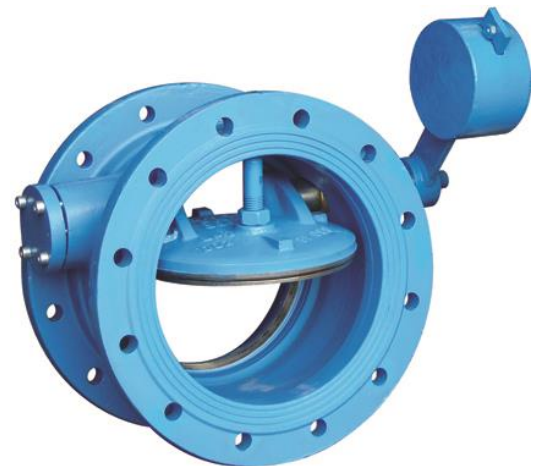
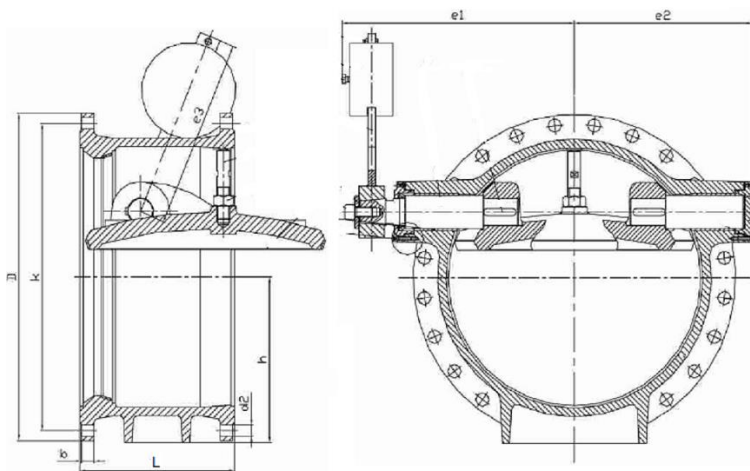
Range of application		Hydrostatic test pressure according to EN 12266			
		Water			
Size	Pressure rating	Hydro test pressure in bars For		Maximal Working pressure in bars	
DN	PN	Body	Seat	at 70°C	
150 - 1000	25	37,5	27,5	25	

Materials/Equipment

Body: Ductile Iron GGG 400-10
 Body seat: Stainless steel X20Cr13
 Valve Disc: Ductile Iron GGG 400-10
 Bearing bush: Bronze
 Coating: **Epoxy Powder** coating Min. thicknesses 250µ

Materials/Equipment

Sealing ring: Elastomer: EPDM/NBR
 Sealing of shaft bore: O-ring: EPDM /NBR
 Valve shaft: Stainless steel 1.4021



Dimensions:

DN	L	D	e1	e2	e3	h	K	No of holes	d2	b	Weight
	mm	mm	mm	mm	mm	mm	mm	n	mm	mm	Kg
200	230	300	270	245	250	185	310	12	28	34	70
250	250	425	300	280	250	215	370	12	31	34	100
300	270	485	350	325	300	245	430	16	31	36	130
350	290	555	375	350	350	280	490	16	34	40	175
400	310	620	410	390	400	315	550	16	37	40	215
500	350	730	480	455	500	370	660	20	37	44	350
600	390	845	560	525	600	425	770	20	41	52	460

Other dimensions upon request

Subject to alternation

We reserve the right to make any technical modification. We are not responsible for any error in printing.

Nero Valves GmbH

Mörfelden – Walldorf / Germany

www.nero-valves.com; www.nero-valvesgmbh.de; info@nero-valvesgmbh.de



Member of
German Water
Partnership

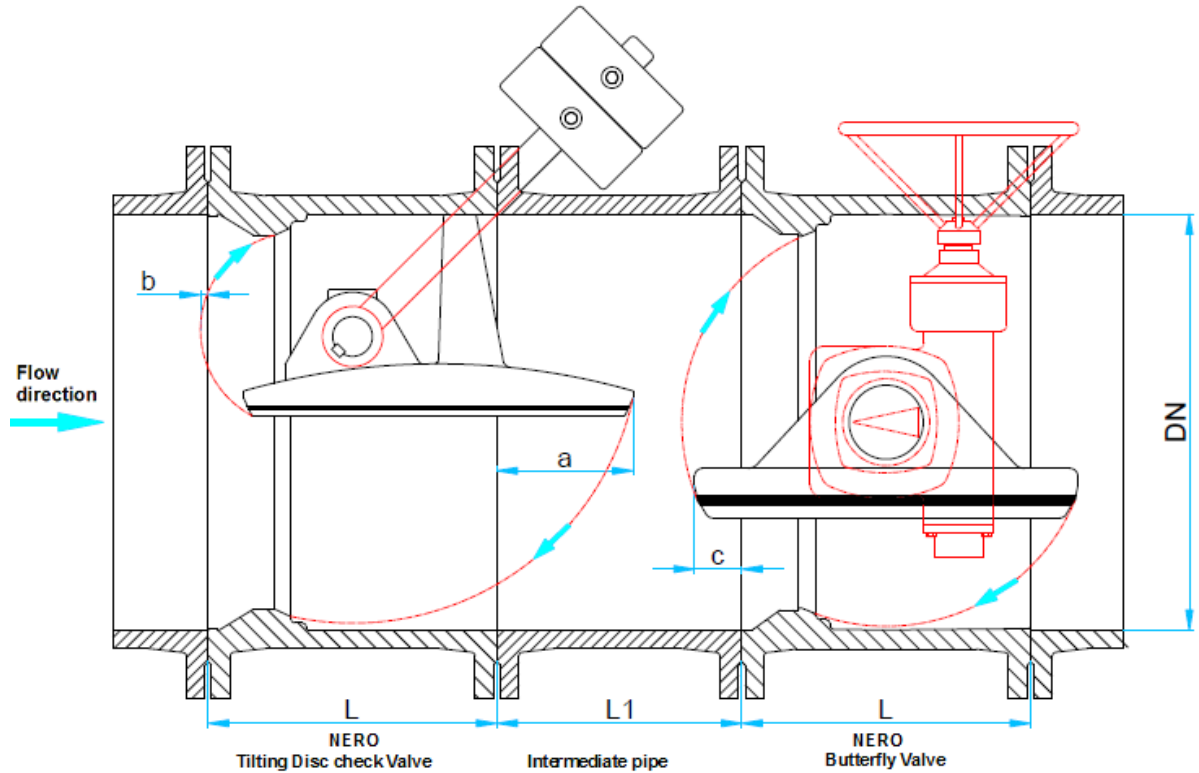
Solutions you can trust.



Nero Non-return check valves

Conditions for installation of flanged type Butterfly valve next to Non-return valve with weight-loaded lever

Installation proposal



For installation of non-return valve adjacent to a butterfly valve, the weight lever of the non-return valve must be on the left hand side in flow direction and the gearbox of the butterfly valve on the right hand side to prevent Collision of the weight lever with the gearbox butterfly valve, the weight lever of the non-return valve must of the butterfly valve

Dimensions:

DN	L	L1	a.	b.	c.
150	210	--	--	--	--
200	230	150	20	--	--
250	250	150	45	--	--
300	270	150	70	--	9
350	290	200	95	--	23
400	310	225	118	--	41
450	330	250	140	--	53
500	350	300	165	--	63
600	390	400	215	--	95
700	430	500	260	10	120
800	470	600	315	15	150
900	510	650	380	30	180
1000	550	750	423	40	210

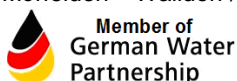
Subject to alternation

We reserve the right to make any technical modification. We are not responsible for any error in printing.

Nero Valves GmbH

Mörfelden – Walldorf / Germany

www.nero-valves.com; www.nero-valvesgmbh.de; info@nero-valvesgmbh.de



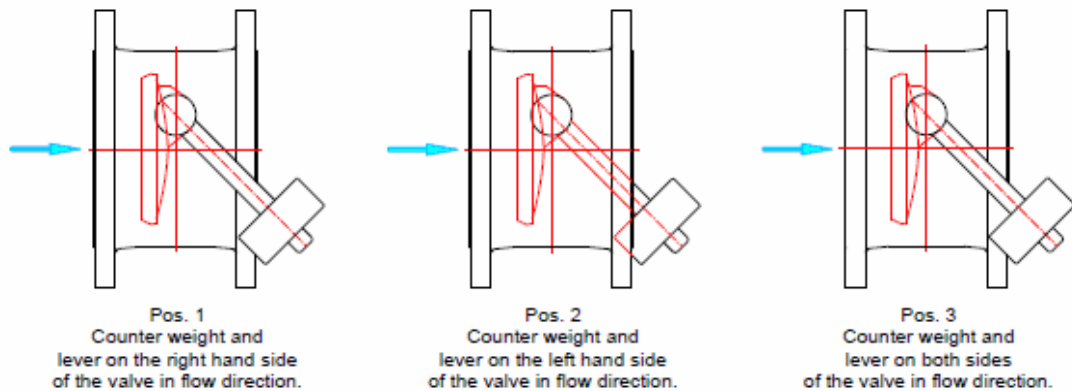
Solutions you can trust.



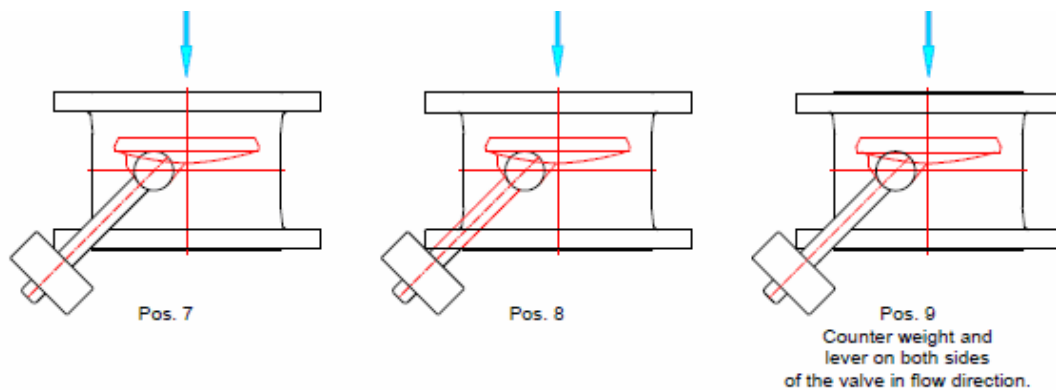
Installation of Non-return valves with Counterweight.

Examples for difference of installation of Check valves

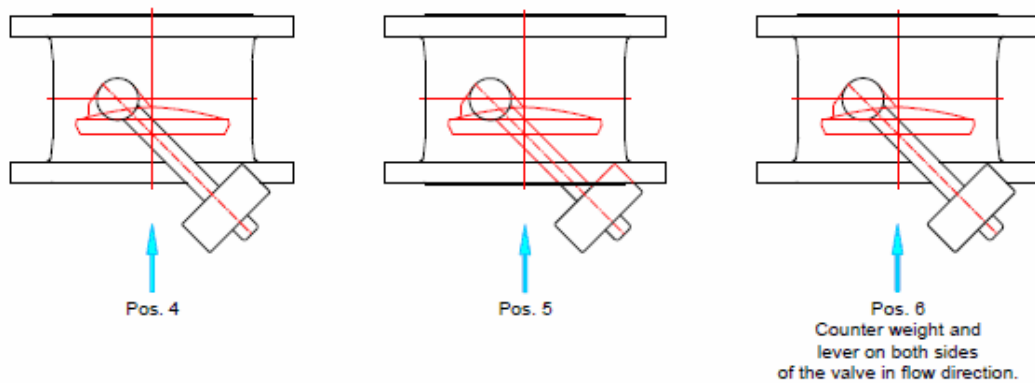
HORIZONTAL MAIN



VERTICAL MAIN Vertical pipeline downward direction of flow



VERTICAL MAIN Vertical pipeline upward direction of flow



Subject to alternation

We reserve the right to make any technical modification. We are not responsible for any error in printing.

Nero Valves GmbH

Mörfelden – Walldorf / Germany

www.nero-valves.com; www.nero-valvesgmbh.de; info@nero-valvesgmbh.de



Member of
German Water
Partnership

Solutions you can trust.