

## Parallel Gate Valves Pressure seal Bonnet



### Body

The valve body is cylindrically shaped to prevent distortion or undue stress during extreme working conditions. In addition, adequate padding helps to achieve sound cast structure in critical area. The wall thickness is greater than, or in accordance, with API, ANSI and ASME requirements. The contact surfaces ensure that a minimum specific pressure is achieved. The close tolerances of the inside diameter of this area are attained by accurate machining and honing finish.

### Bonnet

The bonnet is of a steel forging identical to the body to ensure high reliability. The bonnet has a perfect body-bonnet seal and both ease of dismantling and reassembly are ensured.

The bodies and bonnets of the valve are machine by special purpose machines to achieve perfect coaxially and eliminate any misalignment which may damage the stems.

### Parallel Disc

The parallel disc designed to absorb thermic ally-induced body distortion, thereby making it ideal for high temperature steam of water supply piping.

A Stellite 6 layer is applied to the sealing surface, and this deposit is subjected to a special heat treatment to secure required hardness and soundness. The lapped finish then ensures perfect mating with the seats.

### Stem

The machine forged stem comes with a T-shaped head, which connects the slot of the wedge. The contacting surface of the head is spherically shaped, thereby giving it greater strength and durability. It is heat treated to give adequate mechanical properties and surface hardness. Accurate machine and lapping ensure minimized friction during opening and shutting.

### Seat Ring

The Stellite 6 surface of the seat ring is integrally applied to the body by means of welding in all valve sizes. Lapping applied to the sealing surface ensures perfect mating with the wedge surfaces.

Subject to alternation

We reserve the right to make any technical modification. We are not responsible for any error in printing.

## Nero parallel Gate Valves

### Back Seat

All valves are provided with positive backseat, and packing replacement can be done with the valve fully open. The conical seat and the guide are integrally stellite faced.

### Yoke Sleeve

The upper portion of the Yoke sleeve is hexagonally tapered to fix the handwheel. The standard material of the Yoke sleeve is nodular Ni-resist D2 with over 1150° C (2100° F) dissolution point in accordance with API Std. specifications.

### Available Body Material

Material	Specification	Material	Specification
Carbon steel	A216 WCB	Alloy 825	UNS N00825
Low temperature Carbon	A352 LCB	Alloy 625	A494 CW6MC
Low temperature Carbon	A352 LCC	Hastelloy C276	A494 CW12MW
5% Cr Steel	A217 C5	Monel 400	A494 M351
9% Cr. Steel	A217 C12	Nickle AL-Bz	B148 C95800
Low temperature 13Cr 4n	A352 CA6NM	Inconel 625	A494 CW6MC
410 stainless steel	A217 CA15	Duplex SS Gr.1	A351 CD4MCu
304 stainless steel	A351 CF8	Duplex SS Gr.2	A890 CE8MN
316 stainless steel	A351 CF8M	Duplex SS Gr.3	A890 CD6MN
317 Stainless steel	A352 CG8M	Duplex SS Gr.5	A890 CE3MN
Alloy 20	A351 CN7M	254SMO	A351 CK3MCuN
Gray iron	A125CLB	940L SS	A351 CN2MCuN
Ductile Iron	A395	Titanium Gr.2	B381 F2

### Available Trim Material

Nominal Trim	Material Type	Nominal Trim	Material Type
F6	13Cr	F6 and Hard faced	13Cr Ni-Cr
304	18Cr-8Ni	Monel	Ni-Cu alloy
F310	25Cr-20Ni	316	18Cr-88Ni
Hard F6	Hard 13Cr	Monel and hard faced	Ni-Cu alloy; Trim 5 or 5A
Hard faced	Cu-Cr A	316 and hard faced	18Cr-8Ni; Trim 6 or 5A
Hard faced	Ni- Cr	Alloy 20	19Cr-29Ni
F6 and Hard F6	13 Cr Hard 13Cr	Alloy 20 and Hard faced	19Cr-29Ni; trim 5 or 5A
F6 and hard faced	Cu- CrA		

### Rating

ASME class 6005 up to ASME class 2500

### Option

- Cryogenic service
- Fire safety
- Oxygen service
- Special lining
- Teflon insert

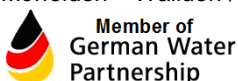
Subject to alternation

We reserve the right to make any technical modification. We are not responsible for any error in printing.

### Nero Valves GmbH

Mörfelden – Walldorf / Germany

[www.nero-valves.com](http://www.nero-valves.com); [www.nero-valvesgmbh.de](http://www.nero-valvesgmbh.de); [info@nero-valvesgmbh.de](mailto:info@nero-valvesgmbh.de)

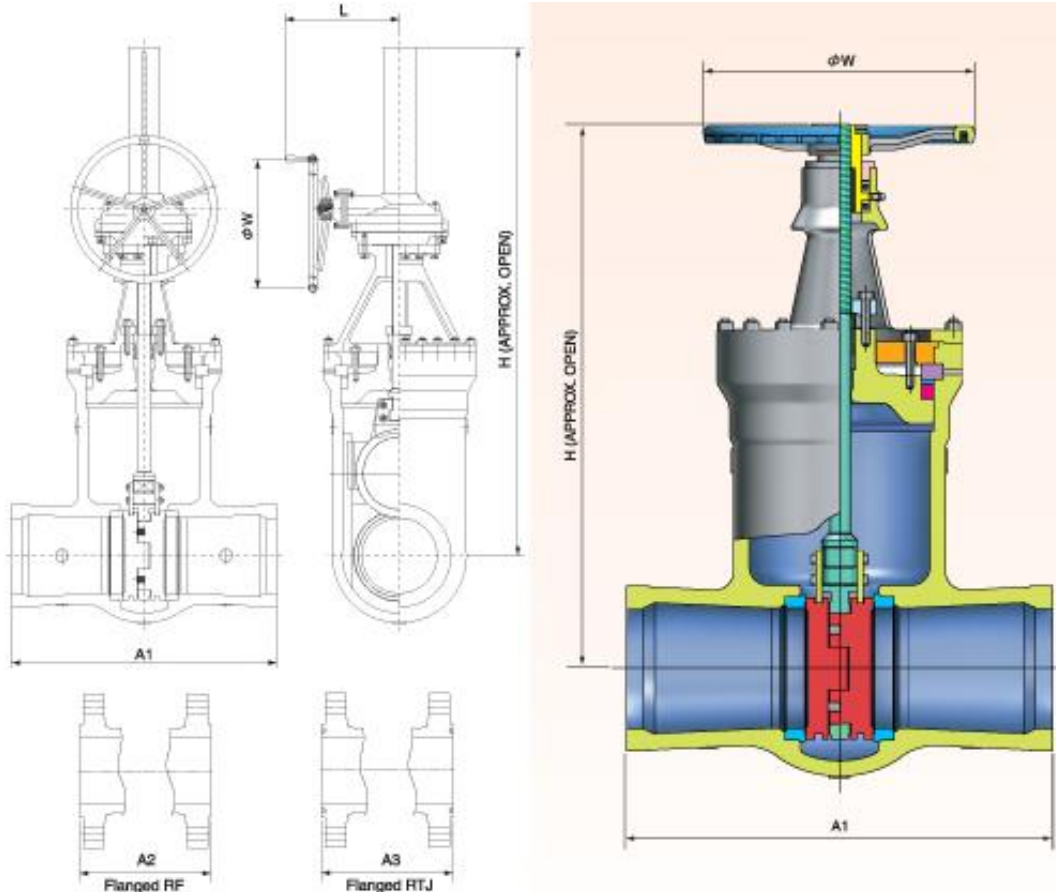


Solutions you can trust.



## Parallel Gate Valves

Pressure seal Bonnet  
Class 600



### Dimensions

VALVE SIZE	in	2	2.5	3	4	6	8	10	12	14	16	18	20	24	
	mm	50	65	80	100	150	200	250	300	350	400	450	500	600	
A1	in	7.0	8.5	10.0	12.0	18.0	23.0	28.0	32.0	35.0	39.0	43.0	47.0	55.0	
	mm	178	216	254	305	457	584	711	813	889	991	1092	1194	1397	
A2	in	11.5	13.0	14.0	17.0	21.8	26.0	31.0	33.0	35.0	39.0	43.0	47.0	55.0	
	mm	292	330	356	432	556	660	787	838	889	991	1092	1194	1397	
A3	in	11.8	13.1	14.1	17.1	22.1	26.1	31.1	33.1	35.1	39.1	43.1	47.2	55.4	
	mm	295	333	359	435	562	664	791	841	892	994	1095	1200	1406	
H	in	18.1	20.3	22.8	27.1	37.6	44.7	50.2	57.3	66.8	84.1	104.3	110.0	122.2	
	mm	485	515	578	689	956	1135	1275	1455	1698	2135	2650	2795	3105	
W	in	8.8	8.8	9.8	11.8	17.7	19.7	24.8	15.7	19.7	24.8	28.0	28.0	31.5	
	mm	224	224	250	300	450	500	630	400	500	630	710	710	800	
L	in	-	-	-	-	-	-	-	13.0	13.5	15.3	16.0	16.0	18.1	
	mm	-	-	-	-	-	-	-	330	342	389	406	406	461	
WEIGHT	RF	lb	99.2	123.5	134.5	216.1	571.0	881.8	1338.2	1944.5	2381.0	3626.6	5070.6	6757.2	8873.6
		kg	45	56	61	98	259	400	607	882	1080	1645	2300	3065	4025
	BW	lb	81.6	90.4	99.2	143.3	407.9	650.4	981.1	1510.2	1862.9	2888.1	4122.6	5533.6	7120.9
		kg	37	41	45	65	186	295	445	685	845	1310	1870	2510	3230

Subject to alternation

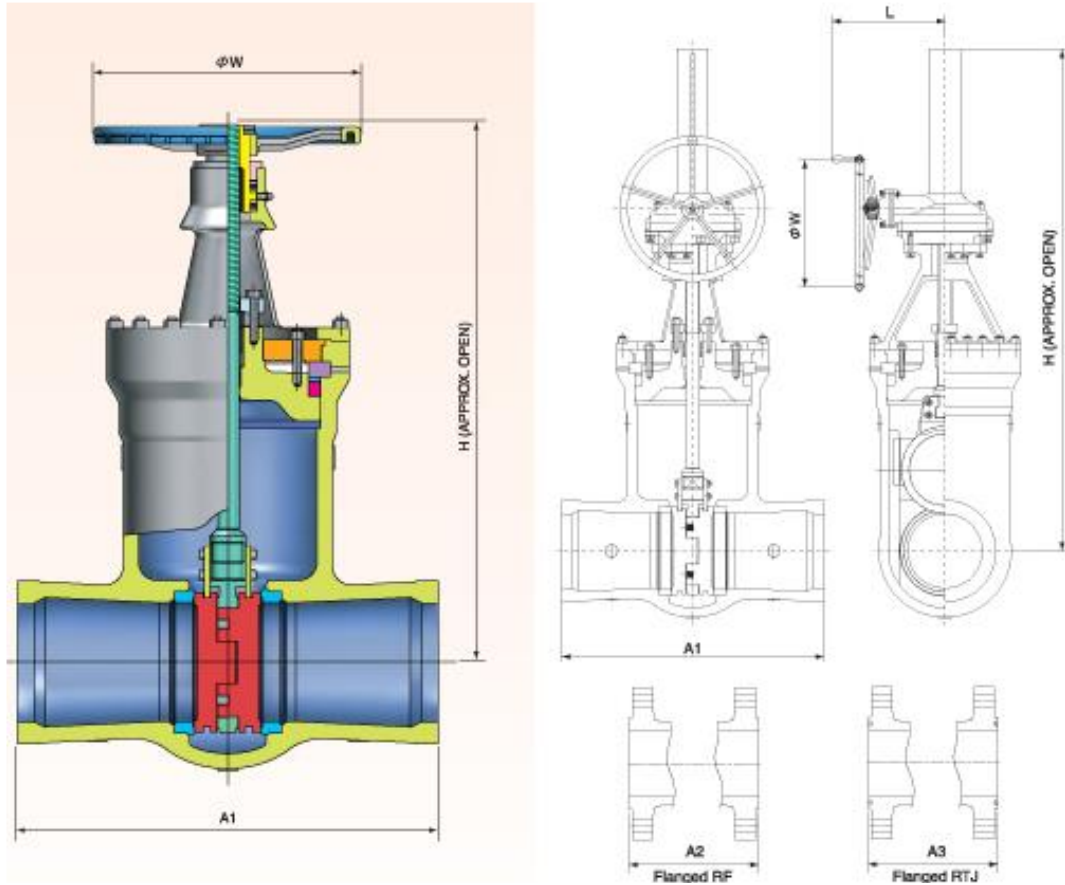
We reserve the right to make any technical modification. We are not responsible for any error in printing.





## Parallel Gate Valves

Pressure seal Bonnet  
Class 900



### Dimensions

VALVE SIZE	in	2	2.5	2.5	4	6	8	10	12	14	16	18	20	24	
	mm	50	65	65	100	150	200	250	300	350	400	450	500	600	
A1	in	8.5	10.0	10.0	14.0	20.0	26.0	31.0	32.0	38.0	43.0	46.5	50.5	58.5	
	mm	216	254	254	356	508	660	787	814	991	1092	1181	1283	1511	
A2	in	14.5	16.5	16.5	18.0	24.0	29.0	33.0	38.0	40.5	44.5	48.0	52.0	61.0	
	mm	368	419	419	457	610	737	838	965	1029	1130	1219	1321	1549	
A3	in	14.6	16.6	16.6	18.1	24.1	29.1	33.1	38.1	40.9	44.9	48.5	52.5	61.7	
	mm	371	422	422	460	612	740	841	968	1038	1140	1232	1333	1568	
H	in	21.3	24.4	24.4	31.1	42.7	49.2	55.9	65.6	72.8	80.9	85.2	89.8	111.4	
	mm	540	620	620	789	1085	1250	1420	1666	1850	2056	2165	2280	2830	
W	in	11.8	11.8	11.8	15.7	22.0	19.7	24.8	28.0	28.0	31.5	31.5	35.4	35.4	
	mm	300	300	300	400	560	500	630	710	710	800	800	900	900	
L	in	-	-	-	-	-	13.5	15.3	16.0	16.0	18.1	18.1	19.1	19.1	
	mm	-	-	-	-	-	342	389	406	406	461	461	486	486	
WEIGHT	RF	lb	141.1	160.9	160.9	280.0	837.0	1221.4	2030.5	2821.9	3216.5	5147.8	6655.8	8050	12930
		kg	64	73	73	127	425	554	921	1280	1450	2335	3019	4105	5865
	BW	lb	84.8	105.8	105.8	189.6	749.6	903.9	1576.3	2193.6	2491.2	4259.3	5401.3	7495.7	8920.8
		kg	43	48	48	85	340	410	715	995	1130	1932	2450	3400	4500

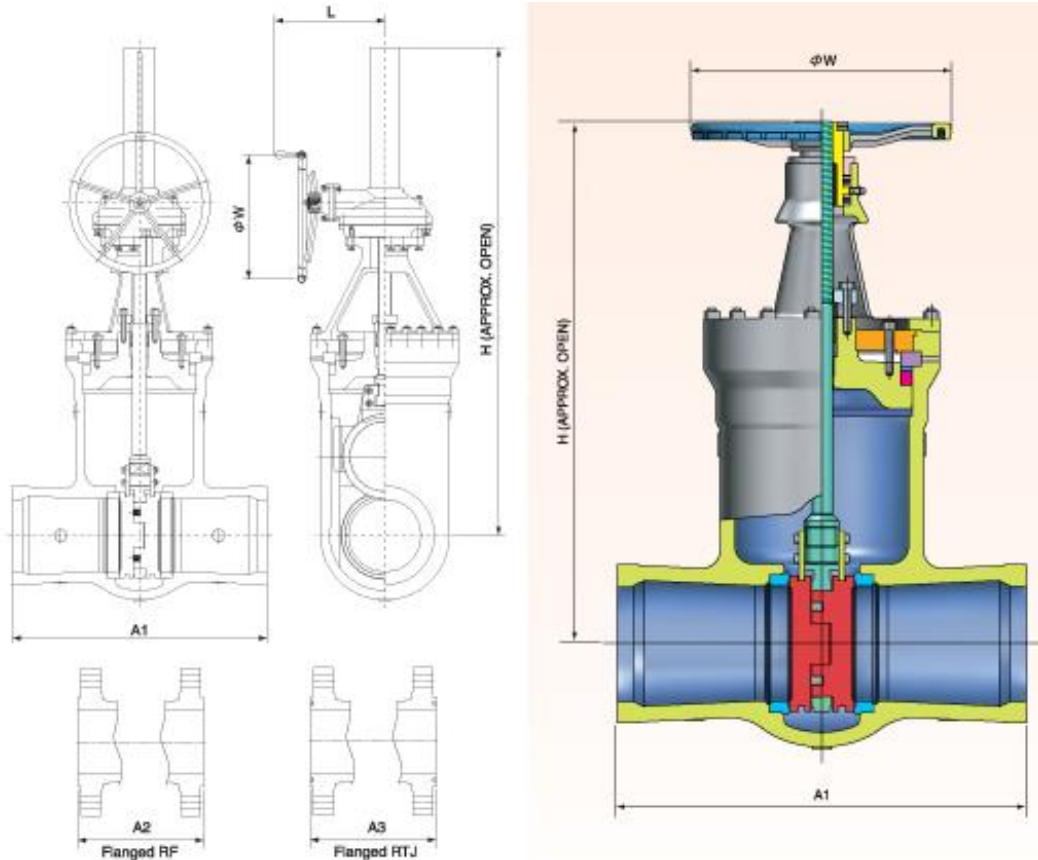
Subject to alternation

We reserve the right to make any technical modification. We are not responsible for any error in printing.



## Parallel Gate Valves

Pressure seal Bonnet  
Class 1500



### Dimensions

VALVE SIZE	in	2	2.5	3	4	6	8	10	12	14	16	18	20	24	
	mm	50	65	80	100	150	200	250	300	350	400	450	500	600	600
A1	in	8.5	10.0	12.0	16.0	22.0	28.0	34.0	39.0	42.0	47.0	53.0	58.0	64.0	
	mm	216	254	305	406	559	711	864	991	1067	1194	1346	1473	1626	
A2	in	14.5	16.5	18.5	21.5	27.8	32.8	39.0	44.5	48.5	54.5	60.5	65.5	76.5	
	mm	368	418	470	546	706	832	991	1130	1257	1384	1536	1664	1943	
A3	in	14.6	16.6	18.6	21.6	28.0	33.1	39.4	45.1	50.2	55.4	61.4	66.4	77.6	
	mm	371	422	473	548	711	841	1000	1146	1276	1406	1558	1686	1972	
H	in	21.3	24.4	27.4	33.1	47.0	52.8	57.1	61.8	66.3	74.4	82.3	103.5	117.3	
	mm	540	620	695	840	1195	1340	1450	1570	1683	1890	2090	2630	2980	
W	in	11.8	11.8	15.7	19.7	19.7	24.8	28.0	31.5	31.5	35.4	35.4	39.4	39.4	
	mm	300	300	400	500	500	630	710	800	800	900	900	1000	1000	
L	in	-	-	-	-	13.5	15.3	16.0	18.1	18.1	19.1	19.1	23.2	24.4	
	mm	-	-	-	-	342	389	406	461	461	486	486	580	619	
WEIGHT	RF	lb	141.1	160.9	284.4	456.4	883.3	1671.1	2885.9	3826.4	4872.2	7198.1	11001	15013	22575
		kg	64	73	129	207	446	758	1309	1781	2210	3265	4990	6810	10240
	BW	lb	84.8	105.8	188.4	328.3	674.6	1188.4	2028.3	2634.5	3130.6	4825.1	7936.6	11188	16424
		kg	43	48	90	148	306	530	920	1195	1420	2234	3600	5075	7450

Subject to alternation

We reserve the right to make any technical modification. We are not responsible for any error in printing.

**Nero Valves GmbH**

Mörfelden – Walldorf / Germany

[www.nero-valves.com](http://www.nero-valves.com); [www.nero-valvesgmbh.de](http://www.nero-valvesgmbh.de); [info@nero-valvesgmbh.de](mailto:info@nero-valvesgmbh.de)



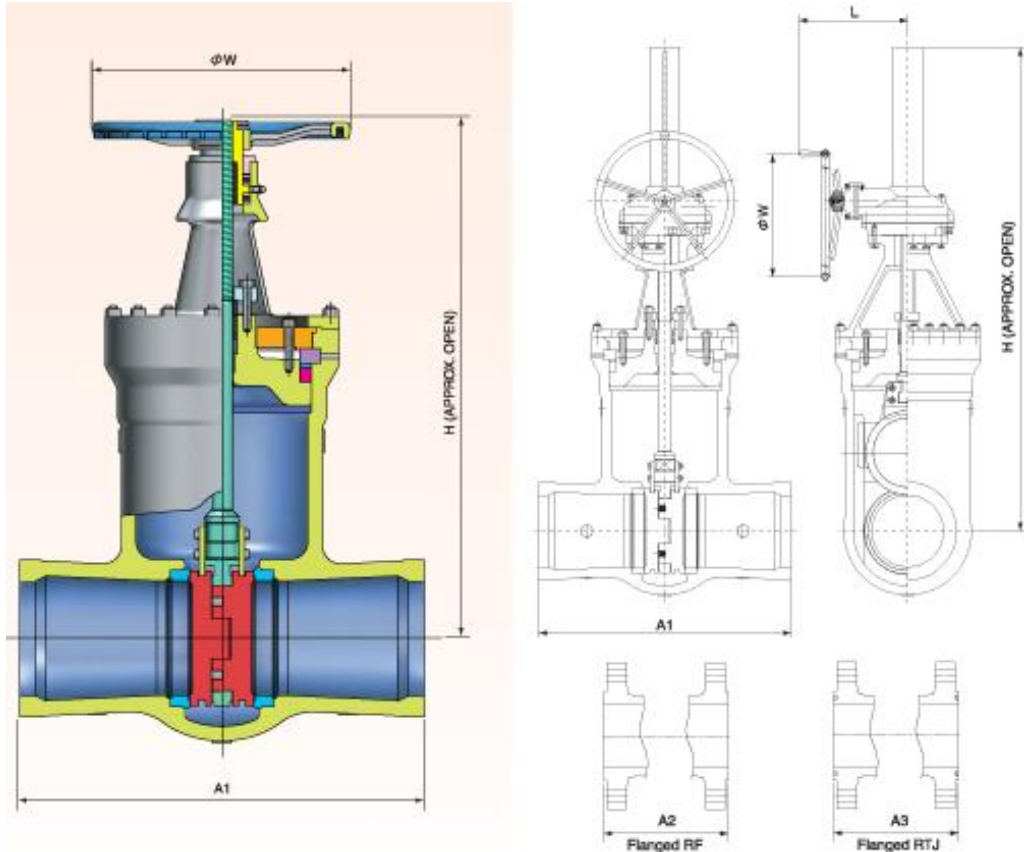
Member of  
German Water  
Partnership

Solutions you can trust.



## Parallel Gate Valves

Pressure seal Bonnet  
Class 2500



### Dimensions

VALVE SIZE	in	2	2.5	3	4	6	8	10	12	14	16	18	20	24	
	mm		50	65	80	100	150	200	250	300	350	400	450	500	600
A1	in		11.0	13.0	14.5	18.0	24.0	30.0	36.0	41.0	44.0	48.0	55.0	60.0	65.0
	mm		279	330	368	457	610	762	914	1041	1118	1245	1397	1524	1650
A2	in		17.8	20.0	22.8	26.5	36.0	40.2	50.0	56.0	-	-	-	-	-
	mm		451	508	578	673	914	1022	1270	1422	-	-	-	-	-
A3	in		17.9	20.2	23.0	26.9	36.5	40.9	50.9	56.9	-	-	-	-	-
	mm		454	514	584	683	927	1038	1292	1445	-	-	-	-	-
H	in		22.6	28.1	29.3	32.1	45.3	53.0	58.1	63.8	67.7	76.2	84.4	104.1	109.6
	mm		575	715	745	815	1150	1345	1475	1620	1720	1935	2145	2645	2785
W	in		11.8	15.7	19.7	19.7	24.8	28.0	31.5	31.5	35.4	35.4	39.4	39.4	39.4
	mm		300	400	500	500	630	710	800	800	900	900	1000	1000	1000
L	in		-	-	-	13.5	15.3	16.0	18.1	18.1	19.1	19.1	23.2	24.4	24.4
	mm		-	-	-	342	389	406	461	461	486	486	590	619	619
WEIGHT	RF	lb	227.1	295.4	405.7	615.1	1580.7	2275.2	4144.7	6128.8	-	-	-	-	-
		kg	103	134	184	279	717	1032	1880	2780	-	-	-	-	-
	BW	lb	154.3	187.4	242.5	363.8	807.0	1311.8	2258.7	3494.3	4166.7	6338.3	8567.0	12754	17538
		kg	70	85	110	165	425	595	1025	1585	1890	2875	3895	5785	7965

Subject to alternation

We reserve the right to make any technical modification. We are not responsible for any error in printing.

