



Nero Valves GmbH

Industrial Valves: DIN · API · ASME

Nero pressure seal cover Swing check Valves

Swing Check Valves Pressure Seal cover



Body

The cylindrically shaped valve body prevents distortion or undue stress under extreme working conditions. Padding is also provided to achieve a sound cast structure in the critical areas. The wall thickness is greater than, or in accordance with, API, ANSI and ASME requirements. The close tolerances of the inside diameter of this area are attained by accurate machining and honing finish.

Cover

The cover material is a steel forging identical to the body to ensure high dependability. The cover construction has a perfect body-cover tightness and ease of dismantling and reassembly are ensured.

Disc

The disc has a sufficient seating surface area which is ground and lapped to a mirror finish. It is of one-piece construction and is heat treated to deliver the required mechanical properties and hardness.

Seat Ring

The Stellite 6 surface of the seat ring is integrally applied to the body by means of welding in all valve sizes. Perfect mating with the disc surfaces attained by lapping finish applied to the seating.

Hinge Pin

The hinge pin is inserted into the valve body to achieve pressure seal construction.

Arm

The arm is of a steel material identical to the body. Larger sized valves are provided with a hinge bushing to reduce friction and to prevent galling.

Subject to alternation

We reserve the right to make any technical modification. We are not responsible for any error in printing.

Nero Valves GmbH

Mörfelden – Walldorf / Germany

www.nero-valves.com; www.nero-valvesgmbh.de; info@nero-valvesgmbh.de



Member of
German Water
Partnership

Solutions you can trust.

Swing Check Valves Pressure Seal cover

Available Body Material

Material	Specification	Material	Specification
Carbon steel	A216 WCB	Alloy 825	UNS N00825
Low temperature Carbon	A352 LCB	Alloy 625	A494 CW6MC
Low temperature Carbon	A352 LCC	Hastelloy C276	A494 CW12MW
5% Cr Steel	A217 C5	Monel 400	A494 M351
9% Cr. Steel	A217 C12	Nickle AL-Bz	B148 C95800
Low temperature 13Cr 4n	A352 CA6NM	Inconel 625	A494 CW6MC
410 stainless steel	A217 CA15	Duplex SS Gr.1	A351 CD4MCu
304 stainless steel	A351 CF8	Duplex SS Gr.2	A890 CE8MN
316 stainless steel	A351 CF8M	Duplex SS Gr.3	A890 CD6MN
317 Stainless steel	A352 CG8M	Duplex SS Gr.5	A890 CE3MN
Alloy 20	A351 CN7M	254SMO	A351 CK3MCuN
Gray iron	A125CLB	940L SS	A351 CN2MCuN
Ductile Iron	A395	Titanium Gr.2	B381 F2

Available Trim Material

Nominal Trim	Material Type	Nominal Trim	Material Type
F6	13Cr	F6 and Hard faced	13Cr Ni-Cr
304	18Cr-8Ni	Monel	Ni-Cu alloy
F310	25Cr-20Ni	316	18Cr-88Ni
Hard F6	Hard 13Cr	Monel and hard faced	Ni-Cu alloy; Trim 5 or 5A
Hard faced	Cu-Cr A	316 and hard faced	18Cr-8Ni; Trim 6 or 5A
Hard faced	Ni- Cr	Alloy 20	19Cr-29Ni
F6 and Hard F6	13 Cr Hard 13Cr	Alloy 20 and Hard faced	19Cr-29Ni; trim 5 or 5A
F6 and hard faced	Cu- CrA		

Rating

ASME class 600 up to ASME class 2500

Option

- Cryogenic service
- Fire safety
- Oxygen service
- Special lining
- Teflon insert

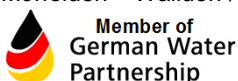
Subject to alternation

We reserve the right to make any technical modification. We are not responsible for any error in printing.

Nero Valves GmbH

Mörfelden – Walldorf / Germany

www.nero-valves.com; www.nero-valvesgmbh.de; info@nero-valvesgmbh.de

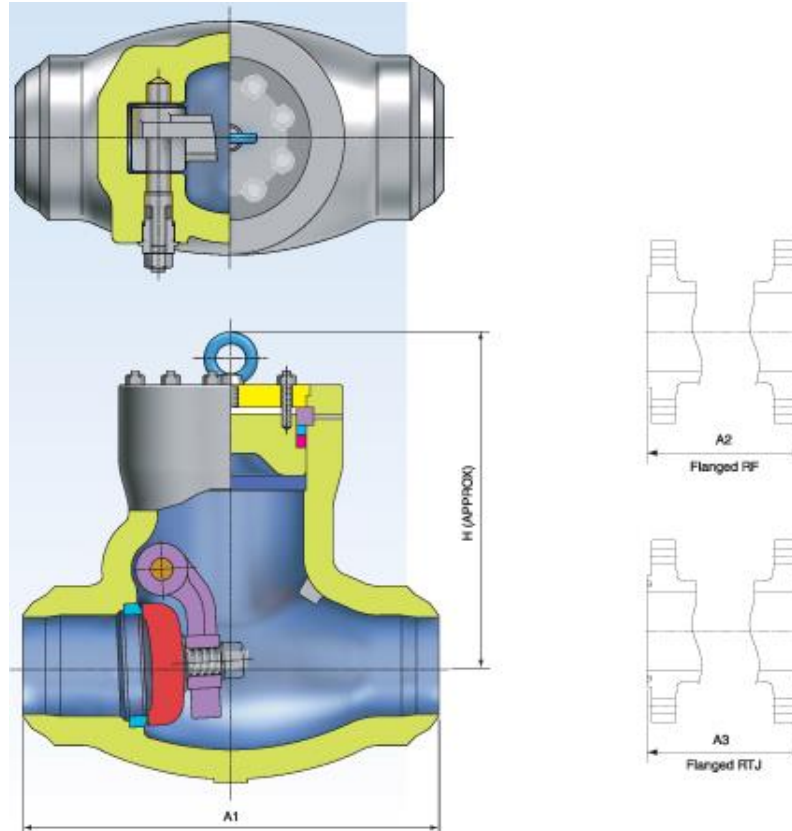


Solutions you can trust.



Swing Check Valves

Pressure Seal cover
Class 600



Dimensions

VALVE SIZE	in	2	2.5	3	4	6	8	10	12	14	16	18	20	24	
	mm	30	65	80	100	150	200	250	300	350	400	450	500	600	
A1	in	11.5	13.0	10.0	12.0	18.0	23.0	28.0	32.0	35.0	39.0	43.0	47.0	55.0	
	mm	292	330	254	305	457	584	711	813	889	991	1092	1194	1397	
A2	in	11.5	13.0	14.0	17.0	22.0	26.0	31.0	33.0	35.0	39.0	43.0	47.0	55.0	
	mm	292	330	356	432	559	660	787	838	889	991	1092	1194	1397	
A3	in	11.8	13.1	14.1	17.1	22.1	26.1	31.1	33.1	35.1	39.1	43.1	47.2	55.4	
	mm	295	333	358	435	562	663	790	841	892	994	1095	1200	1407	
H	in	11.4	13.5	8.1	10.2	12.8	17.1	23.9	27.4	29.5	28.7	28.7	32.2	37.4	
	mm	289	343	205	260	325	434	606	695	749	730	730	819	949	
WEIGHT	RF	lb	59.5	77.2	99.2	187.4	418.9	771.6	1102.3	1477.1	1940.0	2535.3	3262.8	4144.6	5731.9
		kg	27	35	45	85	190	350	500	670	880	1150	1480	1880	2600
	RTJ	lb	39.7	55.1	70.5	75.0	271.2	573.2	815.7	1080.2	1455.0	1873.9	2425.0	3284.8	4487.4
		kg	18	25	32	34	123	260	370	490	660	850	1100	1490	2040

Subject to alternation

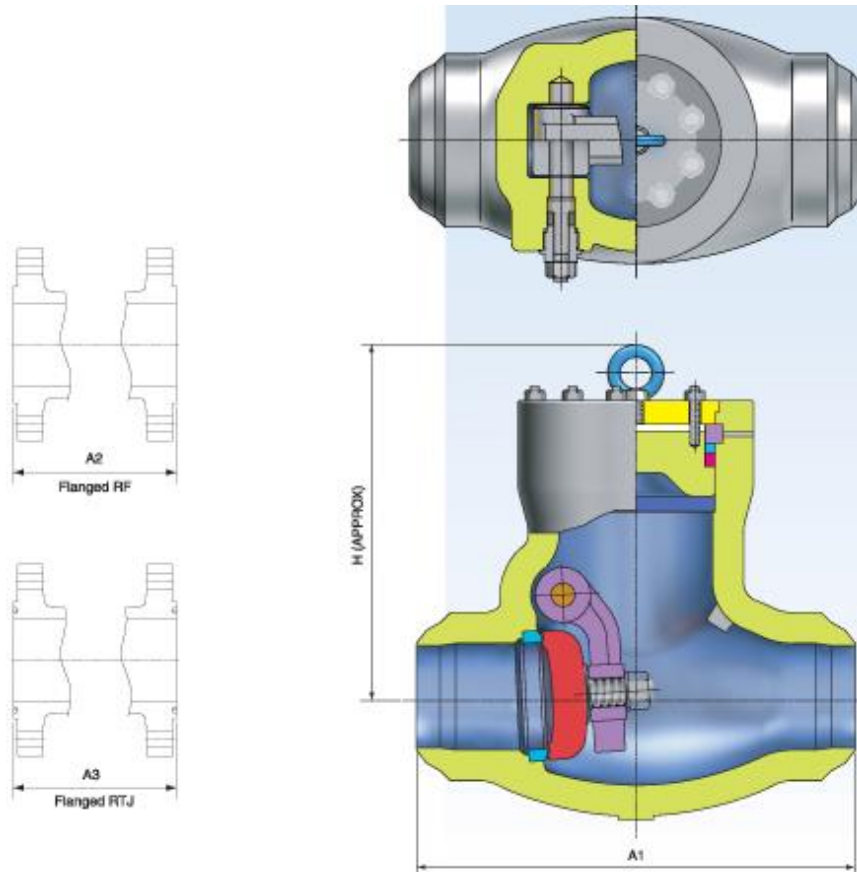
We reserve the right to make any technical modification. We are not responsible for any error in printing.





Swing Check Valves

Pressure Seal cover
Class 900



Dimensions

VALVE SIZE	in	2	2.5	3	4	6	8	10	12	14	16	18	20	24	
	mm	50	65	80	100	150	200	250	300	350	400	450	500	600	
A1	in	14.5	16.5	12.0	14.0	20.0	26.0	31.0	36.0	39.0	43.0	46.5	50.5	59.5	
	mm	368	419	305	356	508	660	787	914	991	1092	1181	1283	1511	
A2	in	14.5	16.5	15.0	18.0	24.0	29.0	33.0	38.0	40.5	44.5	48.0	52.0	61.0	
	mm	368	419	381	457	610	737	838	965	1029	1130	1219	1321	1549	
A3	in	14.6	16.6	15.1	18.1	24.1	29.1	33.1	38.1	40.9	44.9	48.5	52.5	61.7	
	mm	371	422	384	460	613	740	841	968	1038	1140	1232	1334	1568	
H	in	11.4	13.5	8.1	15.0	15.9	23.1	23.9	27.4	29.5	28.7	33.5	34.0	37.8	
	mm	289	343	205	381	403	587	606	695	749	730	851	864	959	
WEIGHT	RF	lb	88.2	121.3	114.6	231.5	507.1	1256.6	1873.9	2866.0	3417.1	3637.6	5070.6	6613.8	9038.8
		kg	40	55	52	105	230	570	850	1300	1550	1650	2300	3000	4100
	BW	lb	44.1	70.5	66.1	143.3	352.7	970.0	1521.2	2248.7	2645.5	2976.2	4078.5	5291.0	6393.3
		kg	20	32	30	65	160	440	690	1020	1200	1350	1850	2400	2900

Subject to alternation

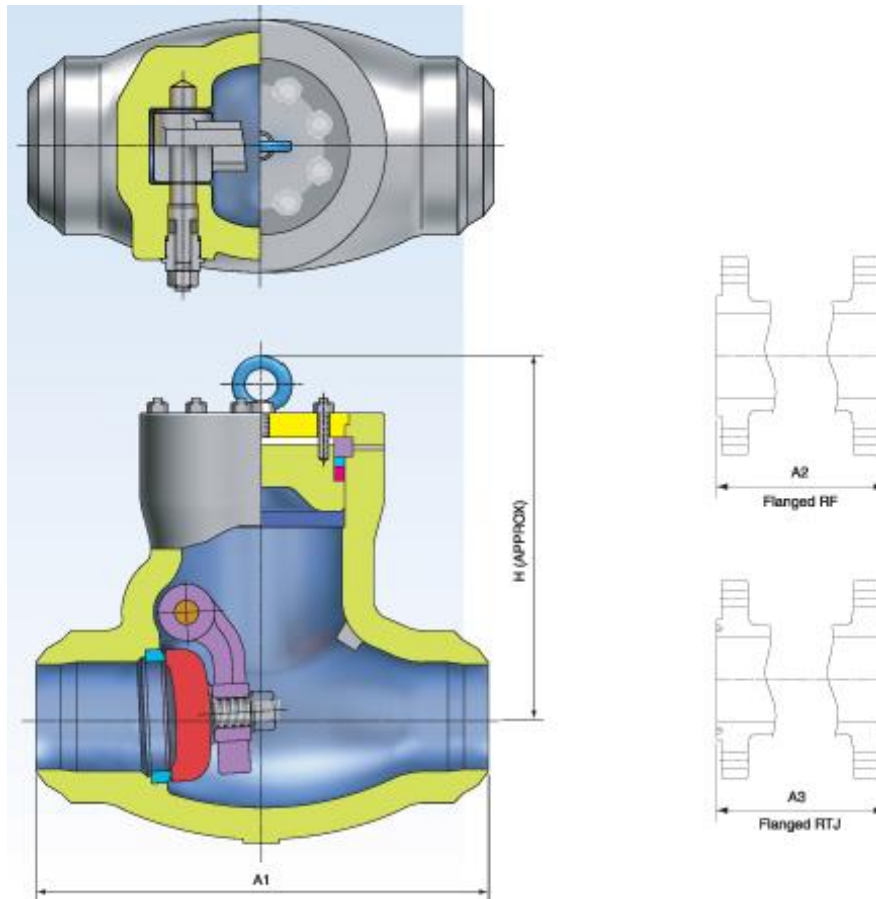
We reserve the right to make any technical modification. We are not responsible for any error in printing.





Swing Check Valves

Pressure Seal cover
Class 1500



Dimensions

VALVE SIZE	in	2	2.5	3	4	6	8	10	12	14	16	18	20	24	
	mm	50	65	80	100	150	200	250	300	350	400	450	500	600	
A1	in	14.5	16.5	18.5	16.0	22.0	28.0	34.0	39.0	42.0	47.0	53.0	58.0	64.0	
	mm	368	419	470	406	559	711	864	991	1067	1194	1346	1473	1626	
A2	in	14.5	16.5	18.5	21.5	27.8	32.8	39.0	44.5	49.5	54.4	60.5	65.5	76.5	
	mm	368	419	470	546	705	832	991	1130	1257	1383	1537	1664	1943	
A3	in	14.6	16.6	18.6	21.6	28.0	33.1	39.4	45.1	50.2	55.3	61.4	66.4	77.6	
	mm	371	422	473	549	711	842	1001	1146	1276	1405	1559	1686	1972	
H	in	11.4	13.5	15.1	14.8	17.6	19.7	23.5	25.4	28.0	29.5	34.8	37.4	43.3	
	mm	289	343	383	376	448	500	598	645	711	749	880	949	1099	
WEIGHT	RP	lb	88.2	121.3	220.5	308.6	881.8	1344.8	2314.8	3417.1	4629.6	5731.9	7275.1	8259.3	13227.5
		kg	40	55	100	140	400	610	1050	1550	2100	2600	3300	4200	6000
	SW	lb	44.1	70.5	88.2	154.3	617.3	1058.2	1631.4	2425.0	3108.5	3627.3	4629.6	5731.9	7716.1
		kg	20	32	40	70	280	480	740	1100	1410	1600	2100	2600	3500

Subject to alternation

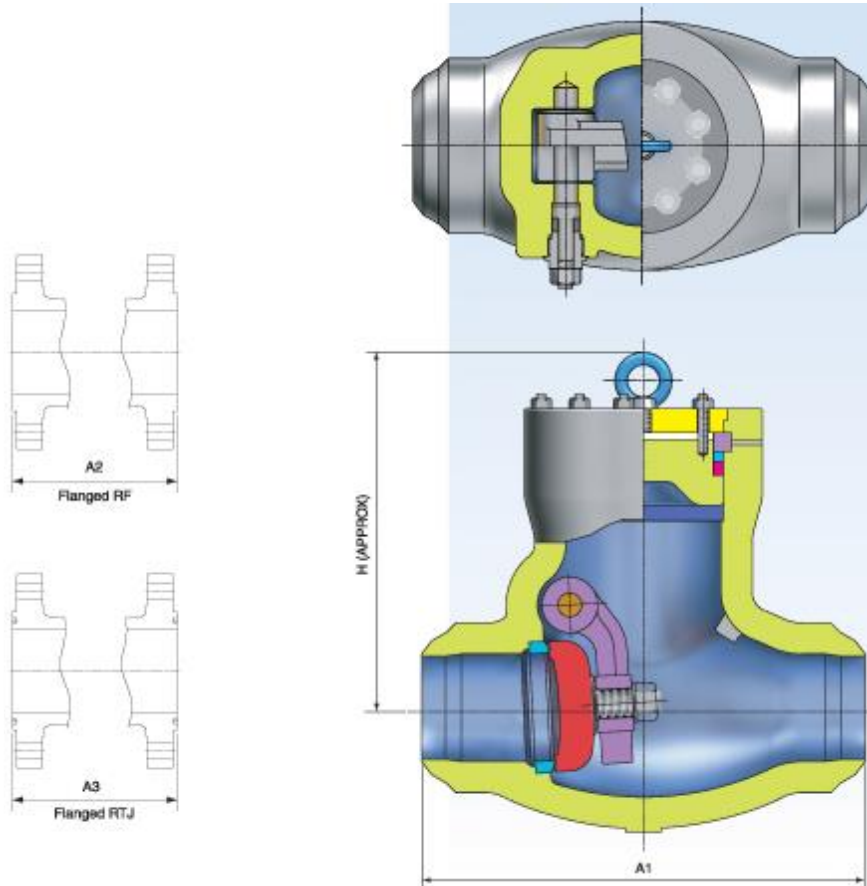
We reserve the right to make any technical modification. We are not responsible for any error in printing.





Swing Check Valves

Pressure Seal cover
Class 2500



Dimensions

VALVE SIZE	in	2	2.5	3	4	6	8	10	12	14	16	18	20	
	mm	50	65	80	100	150	200	250	300	350	400	450	500	
A1	in	17.8	20.0	22.8	18.0	24.0	30.0	36.0	41.0	44.0	49.0	55.0	55.0	
	mm	451	508	578	457	610	762	914	1041	1118	1245	1397	1397	
A2	in	17.8	20.0	22.8	26.5	36.0	40.2	50.0	56.0	62.0	68.0	-	-	
	mm	451	508	578	673	914	1022	1270	1422	1575	1727	-	-	
A3	in	17.8	20.2	23.0	26.9	36.5	40.9	50.9	56.9	-	-	-	-	
	mm	454	514	584	683	927	1038	1292	1444	-	-	-	-	
H	in	11.4	11.4	15.1	15.5	22.4	24.4	29.7	27.5	33.9	42.4	39.4	54.3	
	mm	289	289	383	393	570	619	754	699	860	1076	1000	1378	
WEIGHT	RF	lb	187.4	260.1	341.7	628.3	1693.4	2676.2	4739.9	6613.8	9215.2	11155.2	16490.3	17636.7
		kg	85	118	155	285	750	1350	2150	3000	4180	5060	7480	8000
	BW	lb	110.2	154.3	187.4	363.8	1014.1	1984.1	2986.0	3968.3	5401.2	7054.7	8928.6	11023.0
		kg	50	70	85	165	460	900	1300	1800	2450	3200	4050	5000

Subject to alternation

We reserve the right to make any technical modification. We are not responsible for any error in printing.

