



Nero Valves GmbH

Industrial Valves: DIN · API · ASME

Nero pressure seal tilting Check Valves

PRESSURE SEAL TILTING CHECK Valves Pressure seal Cover



Body

The cylindrically shaped valve body prevents distortion or undue stress under extreme working conditions. Padding is also provided to achieve a sound cast structure in the critical areas.

The wall thickness is greater than, or in accordance with, API, ANSI and ASME requirements.

The area contacting the pressure seal gasket has a stainless steel 18/8 inlay to eliminate corrosion or wire drawing.

The close tolerances of the inside diameter of this area are attained by accurate machining and honing finish.

Cover

The cover material is a steel forging identical to the body to ensure high dependability. The cover construction has a perfect body-cover tightness and ease of dismantling and reassembly are ensured.

Disc

The disc has a sufficient seating surface area which is ground and lapped to a mirror finish. It is of one-piece construction and is heat treated to deliver the required mechanical properties and hardness.

Seat Ring

The Stellite 6 surface of the seat ring is integrally applied to the body by means of welding in all valve sizes. Perfect mating with the disc surfaces attained by lapping finish applied to the seating.

Hinge Pin

The hinge pin is inserted into the valve body to achieve pressure seal construction.

Arm

The arm is of a steel material identical to the body. Larger sized valves are provided with a hinge bushing to reduce friction and to prevent galling.

Subject to alternation

We reserve the right to make any technical modification. We are not responsible for any error in printing.

Nero Valves GmbH

Mörfelden – Walldorf / Germany

www.nero-valves.com; www.nero-valvesgmbh.de; info@nero-valvesgmbh.de



Member of
German Water
Partnership

Solutions you can trust.



**PRESSURE SEAL TILTING
CHECK Valves
Pressure seal Cover**

Available Body Material

Material	Specification	Material	Specification
Carbon steel	A216 WCB	Alloy 825	UNS N00825
Low temperature Carbon	A352 LCB	Alloy 625	A494 CW6MC
Low temperature Carbon	A352 LCC	Hastelloy C276	A494 CW12MW
5% Cr Steel	A217 C5	Monel 400	A494 M351
9% Cr. Steel	A217 C12	Nickle AL-Bz	B148 C95800
Low temperature 13Cr 4n	A352 CA6NM	Inconel 625	A494 CW6MC
410 stainless steel	A217 CA15	Duplex SS Gr.1	A351 CD4MCu
304 stainless steel	A351 CF8	Duplex SS Gr.2	A890 CE8MN
316 stainless steel	A351 CF8M	Duplex SS Gr.3	A890 CD6MN
317 Stainless steel	A352 CG8M	Duplex SS Gr.5	A890 CE3MN
Alloy 20	A351 CN7M	254SMO	A351 CK3MCuN
Gray iron	A125CLB	940L SS	A351 CN2MCuN
Ductile Iron	A395	Titanium Gr.2	B381 F2

Available Trim Material

Nominal Trim	Material Type	Nominal Trim	Material Type
F6	13Cr	F6 and Hard faced	13Cr Ni-Cr
304	18Cr-8Ni	Monel	Ni-Cu alloy
F310	25Cr-20Ni	316	18Cr-88Ni
Hard F6	Hard 13Cr	Monel and hard faced	Ni-Cu alloy; Trim 5 or 5A
Hard faced	Cu-Cr A	316 and hard faced	18Cr-8Ni; Trim 6 or 5A
Hard faced	Ni- Cr	Alloy 20	19Cr-29Ni
F6 and Hard F6	13 Cr Hard 13Cr	Alloy 20 and Hard faced	19Cr-29Ni; trim 5 or 5A
F6 and hard faced	Cu- CrA		

Rating

ASME class 600 up to ASME class 2500

End connection**Option**

- Cryogenic service
- Fire safety
- Oxygen service
- Special lining
- Teflon insert

Subject to alternation

We reserve the right to make any technical modification. We are not responsible for any error in printing.

Nero Valves GmbH

Mörfelden – Walldorf / Germany

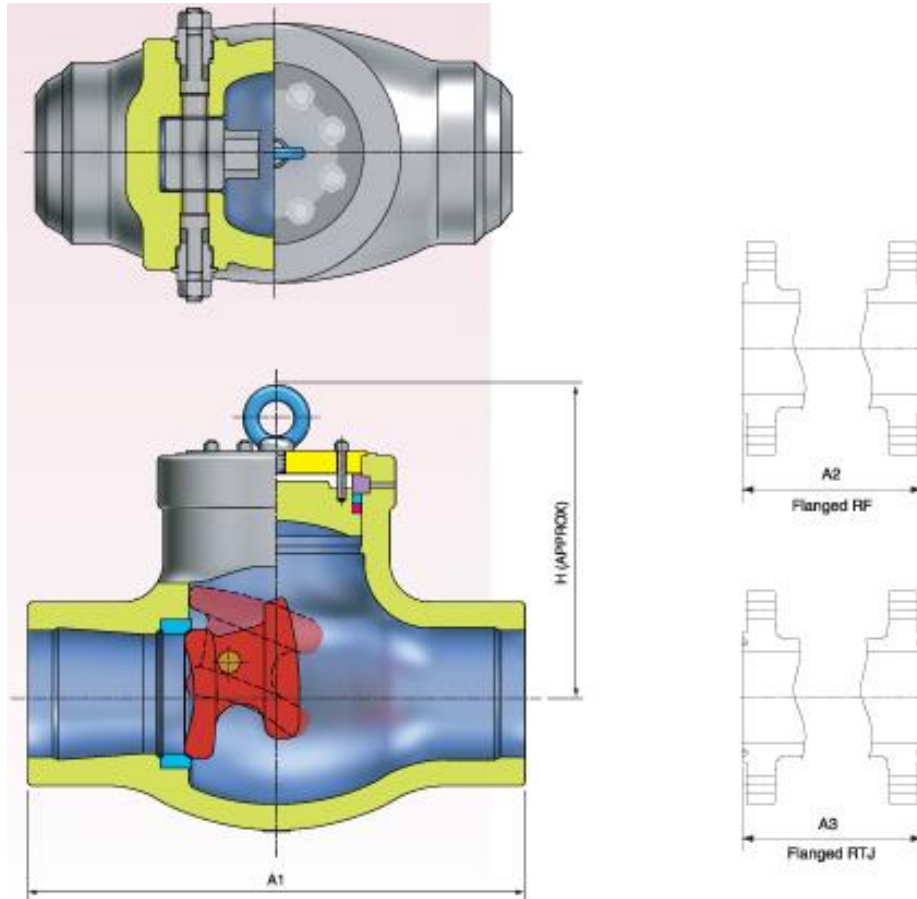
www.nero-valves.com; www.nero-valvesgmbh.de; info@nero-valvesgmbh.deMember of
German Water
Partnership

Solutions you can trust.



**PRESSURE SEAL TILTING
CHECK Valves**

Pressure seal Cover
Class 600



Dimensions

VALVE SIZE	in	2	2.5	3	4	6	8	10	12	14	16	18	20	24	
	mm	50	65	80	100	150	200	250	300	350	400	450	500	600	
A1	in	7.0	8.5	10.0	12.0	18.0	23.0	28.0	32.0	35.0	39.0	43.0	47.0	55.0	
	mm	178	216	254	305	457	584	711	813	809	991	1092	1194	1397	
A2	in	11.5	13.0	14.0	17.0	22.0	26.0	31.0	33.0	35.0	39.0	43.0	47.0	55.0	
	mm	292	330	356	432	559	660	787	838	889	991	1092	1194	1397	
A3	in	11.6	13.1	14.1	17.1	22.1	26.1	31.1	33.1	35.1	39.1	43.1	47.2	55.4	
	mm	295	333	358	435	562	664	791	841	892	994	1095	1200	1407	
H	in	7.7	7.9	8.2	9.8	12.2	15.0	17.7	22.8	26.0	30.7	33.0	34.6	36.4	
	mm	195	200	208	248	310	380	450	580	680	780	838	880	925	
WEIGHT	RF	lb	55.1	79.4	90.4	147.7	438.7	815.7	1106.7	1492.5	1929.0	2579.4	3384.1	4376.2	6272.1
		kg	25	36	41	67	199	370	502	677	875	1170	1535	1985	2845
	BW	lb	37.5	46.3	55.1	75.0	275.6	584.2	749.6	1058.2	1411.0	1840.9	2436.1	3152.6	4518.5
		kg	17	21	25	34	125	265	340	480	640	835	1105	1430	2050

Subject to alternation

We reserve the right to make any technical modification. We are not responsible for any error in printing.

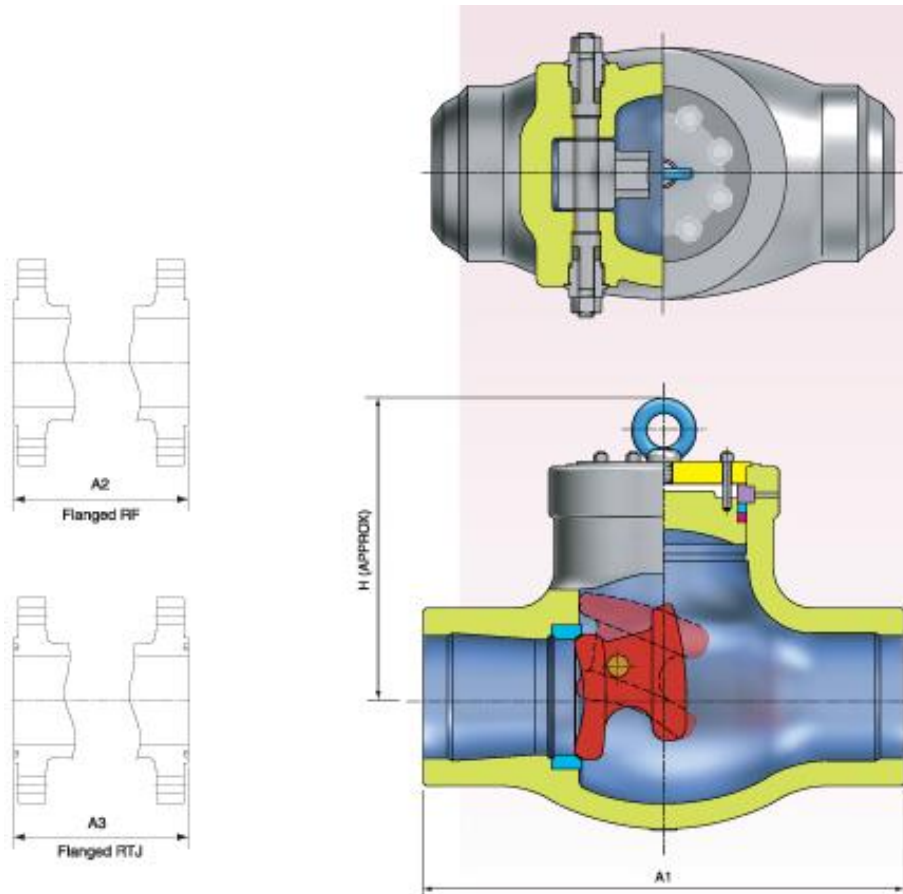




PRESSURE SEAL TILTING CHECK Valves

Pressure seal Cover

Class 900



Dimensions

VALVE SIZE	in	2	2.5	3	4	6	8	10	12	14	16	18	20	24	
	mm	50	65	80	100	150	200	250	300	350	400	450	500	600	
A1	in	8.5	10.0	12.0	14.0	20.0	26.0	31.0	32.0	39.0	43.0	46.5	50.5	59.5	
	mm	216	254	305	356	508	660	787	814	981	1092	1181	1283	1511	
A2	in	14.5	16.5	15.0	18.0	24.0	29.0	33.0	38.0	40.5	44.5	48.0	52.0	61.0	
	mm	368	419	381	457	610	737	838	955	1029	1130	1219	1321	1549	
A3	in	14.6	16.6	15.1	18.1	24.1	29.1	33.1	38.1	40.9	44.9	48.5	52.5	61.7	
	mm	371	422	384	460	612	740	841	958	1038	1140	1232	1333	1568	
H	in	8.1	8.7	9.1	10.2	12.8	15.2	17.9	21.5	25.4	28.7	31.3	33.1	35.2	
	mm	205	220	230	258	325	385	455	545	645	730	795	842	895	
WEIGHT	RF	lb	90.4	123.5	123.5	233.7	540.1	1034.0	1280.9	2160.5	2896.9	3586.9	4407.0	5191.9	7290.7
		kg	41	56	56	106	245	469	581	980	1314	1627	1999	2355	3307
	BW	lb	44.1	68.3	66.1	143.3	352.7	716.5	826.7	1532.2	2171.6	2698.5	3152.6	3637.6	4281.4
		kg	20	31	30	65	160	325	375	695	985	1224	1430	1650	1942

Subject to alternation

We reserve the right to make any technical modification. We are not responsible for any error in printing.

Nero Valves GmbH

Mörfelden – Walldorf / Germany

www.nero-valves.com; www.nero-valvesgmbh.de; info@nero-valvesgmbh.de



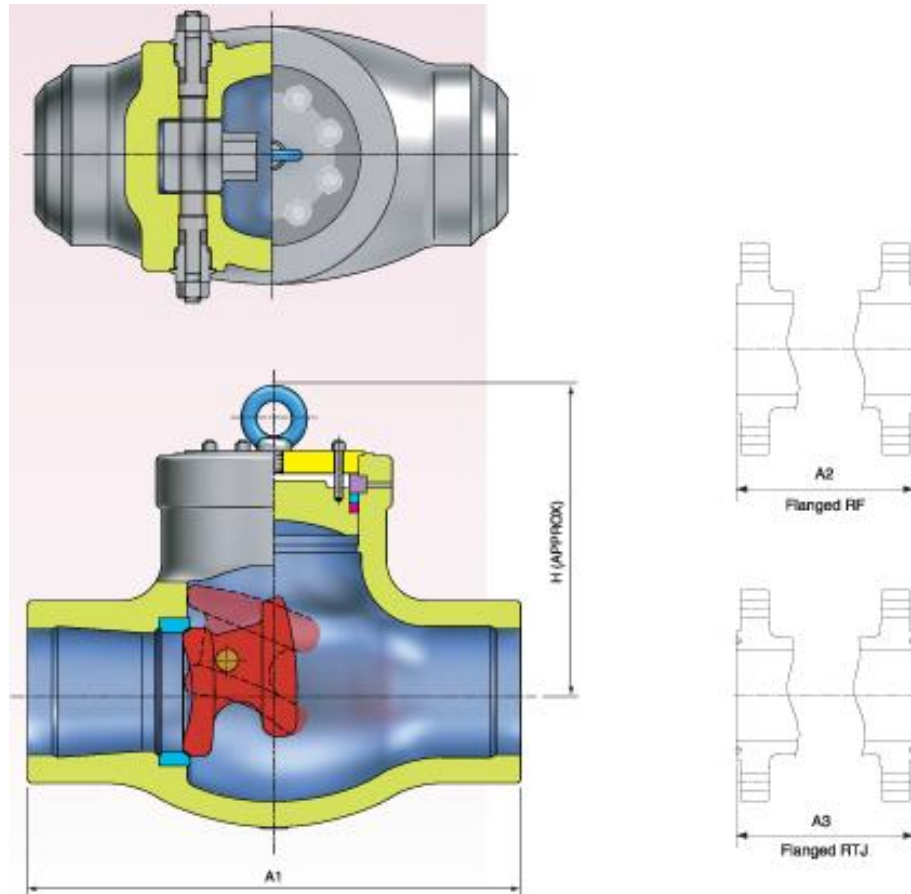
Member of
German Water
Partnership

Solutions you can trust.



**PRESSURE SEAL TILTING
CHECK Valves**

Pressure seal Cover
Class 1500



Dimensions

VALVE SIZE	in	2	2.5	3	4	6	8	10	12	14	16	18	20	24	
	mm	50	65	80	100	150	200	250	300	350	400	450	500	600	
A1	in	8.5	10.0	12.0	16.0	22.0	28.0	34.0	39.0	42.0	47.0	53.0	58.0	64.0	
	mm	216	254	305	406	559	711	864	991	1067	1194	1346	1473	1626	
A2	in	14.5	16.5	18.5	21.5	27.8	32.8	39.0	44.5	49.5	54.5	60.5	65.5	76.5	
	mm	368	419	470	546	705	832	991	1130	1257	1384	1536	1664	1943	
A3	in	14.6	16.6	18.6	21.6	28.0	33.1	39.4	45.1	50.2	55.4	61.4	66.4	77.6	
	mm	371	422	473	549	711	841	1000	1146	1276	1406	1559	1686	1972	
H	in	8.1	8.7	10.9	12.6	13.6	15.5	20.1	24.3	31.9	36.4	38.8	42.4	46.7	
	mm	206	220	278	320	345	394	510	616	810	925	985	1078	1185	
WEIGHT	RF	lb	80.4	123.5	191.8	266.8	508.3	718.7	1060.4	1514.6	2120.8	2610.3	3007.1	3897.8	4887.6
		kg	41	56	87	121	231	326	481	687	962	1184	1364	1788	2217
	BW	lb	44.1	81.6	105.8	180.8	423.3	632.7	974.4	1420.6	2034.9	2524.3	2921.1	3811.8	4801.7
		kg	20	37	48	82	192	287	442	648	923	1145	1325	1729	2178

Subject to alternation

We reserve the right to make any technical modification. We are not responsible for any error in printing.

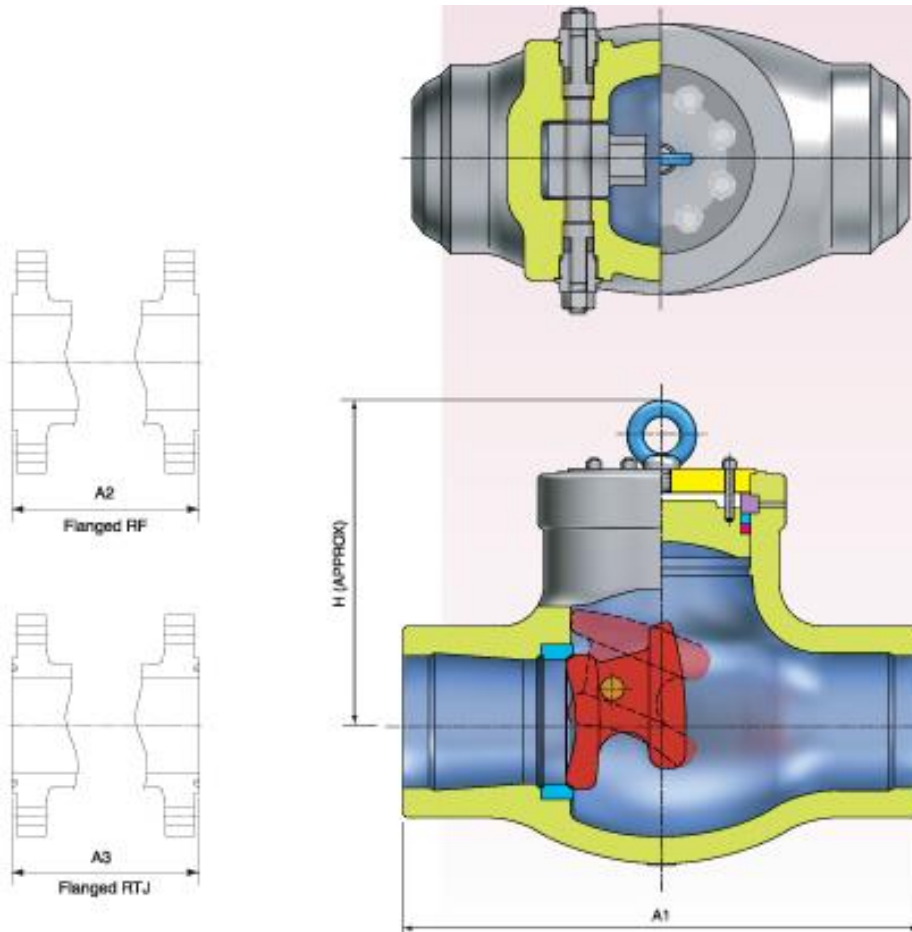




PRESSURE SEAL TILTING CHECK Valves

Pressure seal Cover

Class 2500



Dimensions

VALVE SIZE	in	2	2.5	3	4	6	8	10	12	14	16	18	20	24	
	mm	50	65	80	100	150	200	250	300	350	400	450	500	600	
A1	in	11.0	13.0	14.5	18.0	24.0	30.0	36.0	41.0	44.0	49.0	55.0	60.0	65.0	
	mm	279	330	368	457	610	762	914	1041	1118	1245	1387	1524	1650	
A2	in	17.8	20.0	22.8	26.5	36.0	40.2	50.0	56.0	-	-	-	-	-	
	mm	451	508	578	673	914	1022	1270	1422	-	-	-	-	-	
A3	in	17.9	20.2	23.0	26.9	36.5	40.9	50.9	56.9	-	-	-	-	-	
	mm	454	514	584	683	927	1038	1292	1445	-	-	-	-	-	
H	in	10.6	11.5	16.2	17.0	18.7	22.5	24.4	27.4	32.8	36.7	38.1	42.6	50.6	
	mm	268	292	412	431	475	572	621	695	832	930	982	1083	1285	
WEIGHT	RF	lb	178.6	264.6	401.2	557.8	1071.4	1827.6	3483.3	5110.3	-	-	-	-	-
		kg	81	120	182	253	486	829	1580	2318	-	-	-	-	-
	BW	lb	105.8	156.5	238.1	306.4	427.7	864.2	1596.4	2475.0	3381.9	3979.3	4281.4	4722.3	5474.1
		kg	48	71	108	139	194	382	725	1123	1534	1805	1942	2142	2483

Subject to alternation

We reserve the right to make any technical modification. We are not responsible for any error in printing.

