

Nero single plate check Valves

Single Plate Check Valves Wafer Swing Check Valve

Performance Standard

- ANSI B16.5 (1,5 up to 24 inch)- flange dimension
- API 6A- Face to Face Dimension
- API 598- Testing, Allowable leakage rate
- ANSI B16.34- Wall Thickness

Body and Plate Material

Material	Specification	Material	Specification
Carbon Steel	ASTM A216 WCB	Low Temp. Carbon Steel	ASTM A352 LCB
High Temp. Cr Mo steel	ASTM A217 WC6	Low Temp. carbon steel	ASTM A216 LCC
Low Alloy Steel	ASTM A487 GR 4N	Low Alloy Steel	ASTM A487 GR 4C
Stainless steel 410	ASTM A217CA15	5% Cr. Steel	ASTM A217C5
9% Cr. Steel	ASTM A217C5	Low Temp. 13%Cr4%Ni	ASTM A352 CA6NM
316 Stainless steel	ASTM A182 F316/ A351 CF8M	316 Stainless steel	ASTM A 182 F316L/ A351 CF3M
347 stainless steel (high Temp)	ASTM CF8C	22% Chrome Duplex	ASTM A890 4A
Ferralium 255-3SC	UNS S32550	25% Chrome supper Duplex	UNS S32760
Alloy 825	UNS N008825	Alloy 625	ASTM A494 CW6MC
Hastelloy C276	ASTM A494 CWRMN	Monel	ASTM A494-M35-2
Nickel Aluminium Bronze	ASTM B148 C95800	Chromium Moly. Steel	AST A217 GR WC9
3,5% Nickel Steel	ASTM A352 LC3	304 Stainless steel	ASTM A351 CF8
304 stainless steel	ASTM A351 CF3	Alloy20	ASTM A351 CN7M
317 Stainless steel	ASTM A352 CG8M	Carbon Moly. Steel	ASTM A352 LC1
Gray Iron	ASTM A126 Class B	Ductile Iron	ASTM 395

Spring Material:

- 316 Stainless steel
- Inconel X750
- Inconel 625
- Monel K500
- Carpenter 20

Seat Material:

- Buna (NBR)
- EPDM
- PTFE
- Metal Overlay as Body
- Metal to Metal
- Viton
- Neoprene
- Other material on request

Subject to alternation

We reserve the right to make any technical modification. We are not responsible for any error in printing.

Nero single plate check Valves

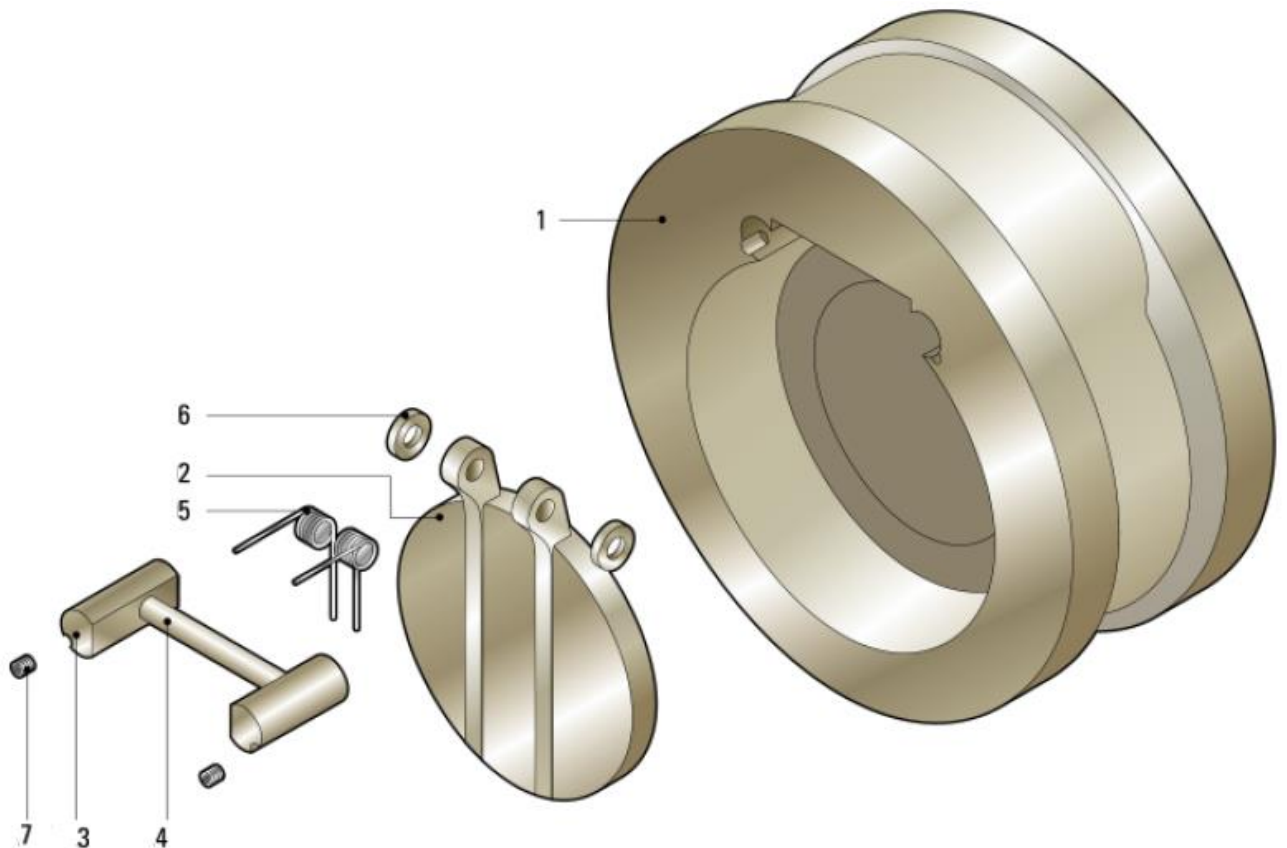
Single Plate Check Valves
Wafer Swing Check Valve

Retainer less Design

The unique design does not have any holes bored through the body wall being different from many competitors. This unique design prohibits shell leakage originally and functions perfectly in large of valves and high rating Valve's application.

Valves Components

Item	parts	Qty.
1.	Body	1
2.	Disc	1
3.	Insert	1
4.	Hinge Pin	1
5.	Spring	2
6.	Washer	2
7.	Set Screw	2 or 4

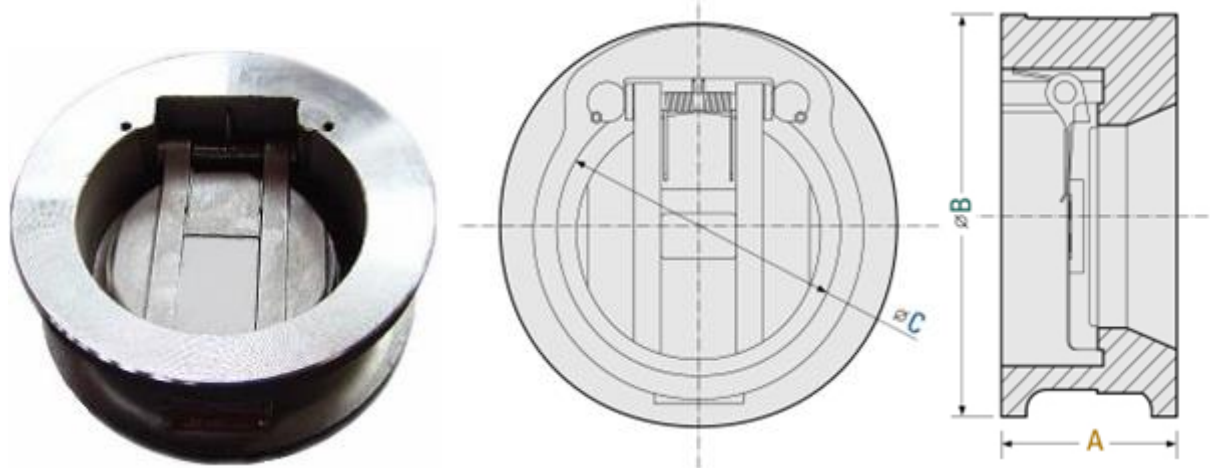


Subject to alternation

We reserve the right to make any technical modification. We are not responsible for any error in printing.

Nero single plate check Valves

Single Plate Check Valves
Wafer Swing Check Valve



Dimension Data (ANSI Class 150-300)						Stud Selection			
SIZE in (mm)	ANSI Rating	End Facing	A in (mm)	B in (mm)	C in (mm)	Q'ty	Dia in (mm)	Length in (mm)	Weight kg
2(50)	150	RF	60	104	57	4	16	152	2.3
	300	RF	60	111	57	4	16	152	3.2
3(80)	150	RF	72	137	82	8	16	178	4.1
	300	RF	72	149	82	8	19	207	5.9
4(100)	150	RF	72	175	110	8	16	178	8.6
	300	RF	72	181	110	8	16	178	12.8
6(150)	150	RF	97	222	158	8	19	203	13
	300	RF	97	250	158	12	19	245	16.2
8(200)	150	RF	125	279	180	8	19	248	23
	300	RF	125	308	180	12	22	286	32.1
10(250)	150	RF	146	340	241	12	22	279	43
	300	RF	146	362	241	16	25	324	24.3
12(300)	150	RF	181	410	314	12	22	311	71
	300	RF	181	422	314	16	29	372	80.9
14(350)	150	RF	184	451	336	12	25	330	81.6
	300	RF	222	486	336	20	29	419	102.7
16(400)	150	RF	191	514	390	16	25	343	104
	300	RF	232	540	390	20	32	441	187.9

Subject to alternation

We reserve the right to make any technical modification. We are not responsible for any error in printing.