



Nero Y Type Strainer

Nero Y- Form Strainer

Face to Face: according to DIN EN 558-1 series 1 (DIN 3202-F1)

Flanges: according to DIN EN 1092-2 (DIN 2501).

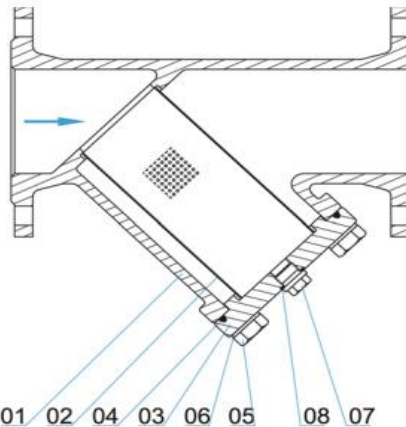


Application:

Strainers are used to prevent damaging system parts like: valves, pumps, etc. by external particles. Strainers separate dirt and external particles from flow.

Corrosion protection: Epoxy powder, with thickness at least 250 µm.

PN (bar)	Permissible Working Pressure (bar)	Permissible Working Temperature	Test pressure according to DIN EN 12266 in bar	
			Hydrostatic test	
10	10	70°C	body	
			17	
16	16	70°C	25	
25	25	70°C	37.5	



Part	Description	Material	Spare parts
1	Body	EN-GJS-400-15 (1)	
2	Screen	1.4301	•
3	Cover	EN-GJS-400-15 (1)	
4	Seal	EPDM / NBR	•
5	Hexagonal head screw	A2 / Galvanized Steel	
6	Washer	A2 / Galvanized Steel	
7	Drain screw	A2	
8	Washer	A2	

Subject to alternation

We reserve the right to make any technical modification. We are not responsible for any error in printing.

Nero Valves GmbH

Mörfelden – Walldorf / Germany

www.nero-valves.com; www.nero-valvesgmbh.de; info@nero-valvesgmbh.de



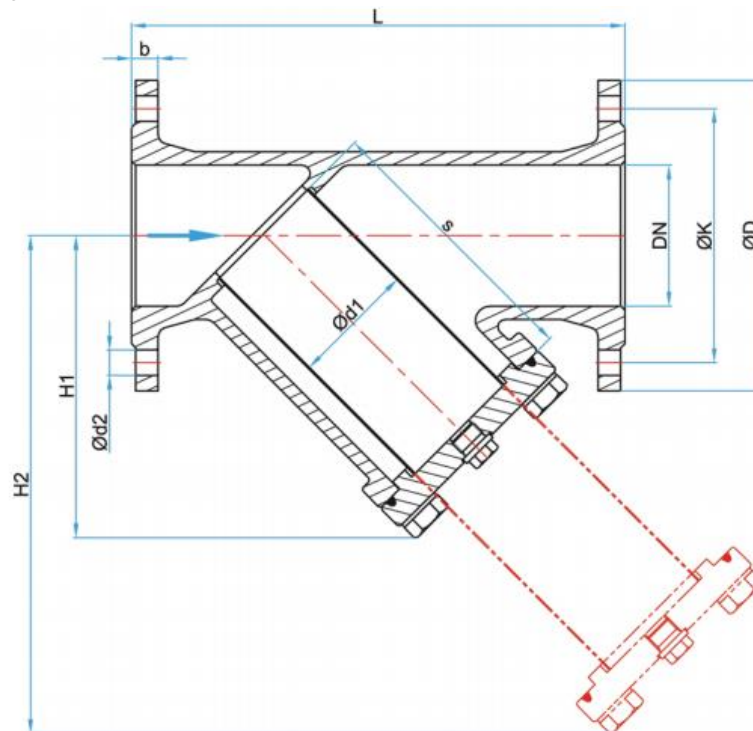
Member of
German Water
Partnership

Solutions you can trust.



Nero Y Type Strainer

Dimensions and weight



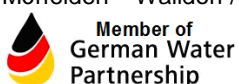
DIN EN 1092-2 (DIN 2501)
 DIN EN 558-1 series 1 (DIN 3202-F1)

DN mm	PN bar	L mm	D mm	K mm	d2 mm	n	b mm	H1 mm	H2 mm	S mm	d1 mm	Zeta —	Kv m ³ /h	screen		Weight kg
														diameter	mesh	
50	10.16	230	165	125	19	4	19	128	215	112	60	3.1	57	1.5	4	9.55
65	10.16	290	185	145	19	4	19	185	315	172	65	3.1	96	3	6.5	15.7
80	10.16	310	200	160	19	8	19	205	355	193	80	3.2	143	3	6.5	21.8
100	10.16	350	220	180	19	8	19	240	415	222	95	3.4	223	3	6.5	31.35
125	10.16	400	250	210	19	8	19	285	475	243	110	3.4	338	3	6.5	44.8
150	10.16	480	285	240	23	8	19	328	548	287	132	3.5	480	3	6.5	63.8
200	10	600	340	295	23	8	20	405	660	332	180	3.5	854	3	6.5	111.9
200	16	600	340	295	23	12	20	405	660	332	180	3.5	854	3	6.5	121
250	10	730	395	350	23	12	22	515	880	510	256	3.5	1334	3	6.5	171
250	16	730	405	350	28	12	22	515	880	510	256	3.5	1334	3	6.5	171
300	10	850	445	400	23	12	24.5	610	1100	620	308	3.6	1895	3	6.5	250
300	16	850	460	410	28	12	24.5	610	1100	620	308	3.6	1895	3	6.5	250

Subject to alternation
 We reserve the right to make any technical modification. We are not responsible for any error in printing.

Nero Valves GmbH

Mörfelden – Walldorf / Germany www.nero-valves.com; www.nero-valvesgmbh.de; info@nero-valvesgmbh.de



Solutions you can trust.