



Nero Valves GmbH

Industrial Valves: DIN · API · ASME

Nero Top Entry Trunnion Mounted Ball Valves

Trunnion Mounted Ball Valves

Model: NVTT

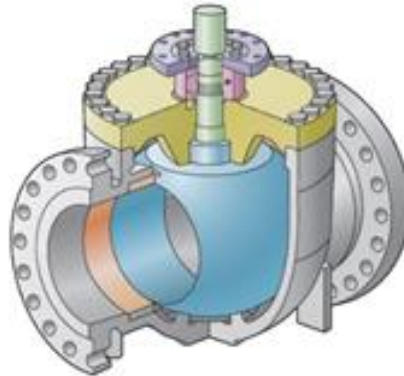
Top entry Design, one -piece Body

Summary

The Trunnion mounted ball valves designed in accordance with API 6D available in full and reduced bore. Valves have been designed for use with various combinations of materials such as Carbon steel, Low carbon steel, special alloy; stainless steel, MONEL and Inconel.

Series NVTT Top entry ball valves are available in Size 2 up to 56 inch with a ANSI class rating 150 up to 1500 and a temperature rating from -50°C up to 200°C

All meet the fire safe requirement of B. Standard 6755 and API 6FA



In- Line Repair or Replace

The Top entry trunnion supported design and unique seat retraction technique gives the convenience of in-line repair or replace valve internal components without dismantling is from pipeline

Double Block and Bleed

Because each ball seat shuts off the line fluid independently on the upstream and downstream side, so this series ball valves are suitable for double block and bleed application.

Secondary sealant injection system for stem and seat is provided for emergency stop of accidental seat or stem leakage.

Stem Sealing design

Double sealing O-Rings prevent leakage from Stem area.

Blow-out proof stem internally inserted and functions as the backseat for assured stem sealing at all pressures.

Fire safe design

Metal to Metal sealing when non-metal sealing is deteriorated by fire, seat floats to shut off the line fluid.

Body design

One – piece body rigid as the pipe itself.

O-ring & Gasket combination prevent leakage from body joint area

Emergency sealant injection fitting prevent leakage from the seat

Spring Loaded seats

Floating spring loaded seats to assure sealing even at low pressures

Actuating: Electric, pneumatic and hydraulic actuator are available based on customer requirement.

Subject to alternation

We reserve the right to make any technical modification. We are not responsible for any error in printing.

Nero Valves GmbH

Mörfelden – Walldorf / Germany

www.nero-valves.com; www.nero-valvesgmbh.de; info@nero-valvesgmbh.de



Member of
German Water
Partnership

Solutions you can trust.

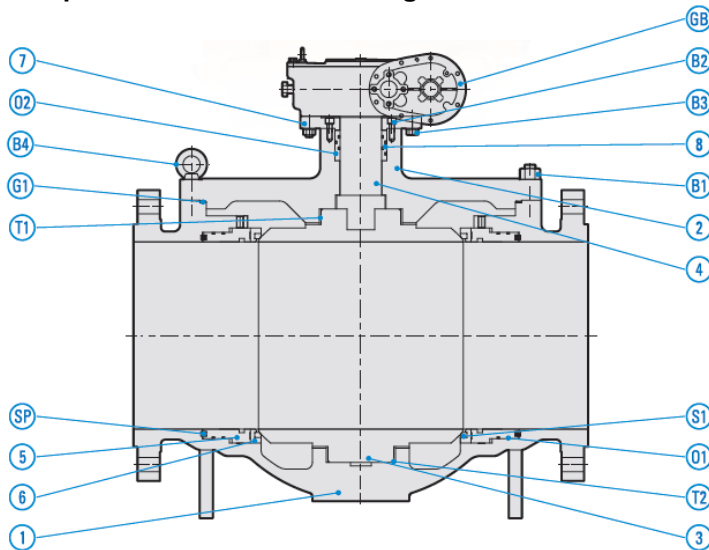
Trunnion Mounted Ball Valves

Model: NVTT

Top entry Design, one -piece Body

1. – Standards

- Basic Design: according to ASME B16.34, API 6D and API 608
- Flanged ends: according to ASME B16.5
- Face to Face: according to ASME B16.10, class 150 to class 2500
- Fire safe: according to API 607 and API 6FA
- Inspection and Test: according to API 6D and API 598



Standard Material and specification

Position	Parts Description	Standard
1.	Body	A216 WCB
2.	Bonnet	A216 WCB
3.	Ball	A351 CF8M
4.	Stem	A2176 T316
5.	Retainer	Stainless steel 316
6.	Seat Adapter	Stainless steel 316
7.	Gland Flange	A283D
8.	L-Ring	Stainless steel 316
S1	Ball Seat	PTFE
G1	Gasket	PTFE
T1	Stem Bush	DU-Bush
T2	Stem Bush	DU-Bush
O1	O-Ring	NBR
O2	O-Ring	NBR
B1	Bonnet Bolt / Nut	A193B7/ A194 2H
B2	Gland bolt	A193 B8
B3	Gear Bolt	A193 B7
B4	Eye Bolt	SS 400
SP	Spring	Inconel X750
GB	Gear Bolt	Ass'y

Other material on request

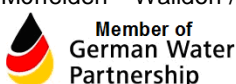
Subject to alternation

We reserve the right to make any technical modification. We are not responsible for any error in printing.

Nero Valves GmbH

Mörfelden – Walldorf / Germany

www.nero-valves.com; www.nero-valvesgmbh.de; info@nero-valvesgmbh.de

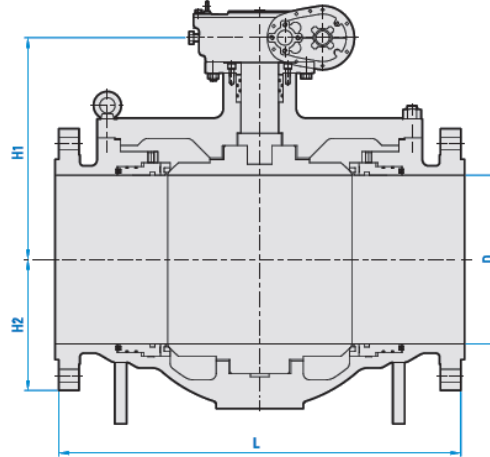


Solutions you can trust.

Trunnion Mounted Ball Valves

Model: NVTT

Top entry Design, one -piece Body



Full port class 150

Size (in.)	D (mm)	L (mm)	H1 (mm)	H2 (mm)	W (mm)	Weight (kg)
2	51	292	231	78	300	40
3	76	356	273	100	450	65
4	102	432	297	120	500	110
6	152	559	351	162	800	210
8	203	660	375	207	*400	375
10	254	787	415	244	*400	462
12	305	838	452	290	*500	660
14	337	889	473	370	*600	930
16	387	991	498	405	*600	1354
18	438	1092	545	445	*600	2100
20	489	1194	603	540	*600	2680
22	540	1295	688	550	*600	3400
24	591	1397	742	595	*800	4180
26	635	1448	790	640	*800	4850
28	686	1549	797	680	*800	5850
30	737	1651	835	745	*800	6400
32	781	1778	898	770	*800	7850
34	832	1930	926	800	*800	8600
36	876	2083	950	820	*800	9850
40	978	2337	1038	860	*800	1450
42	1022	2438	1066	890	*800	16150
48	1168	2540	1227	970	*800	25000
56	1368	2949	1420	1120	*800	38000

Reduce Port class 150

Size (in.)	d (mm)	D (mm)	L (mm)	H1 (mm)	H2 (mm)	W (mm)	Weight (kg)
2x1½X2	38	51	292	206	63	300	30
3x2x3	51	76	356	231	78	300	47
4x3x4	76	102	432	273	100	450	80
6x4x6	102	152	559	297	120	500	130
8x6x8	152	203	660	351	162	800	232
10x8x10	203	254	787	375	207	*400	422
12x10x12	254	305	838	415	244	*400	495
14x12x14	305	337	889	452	290	*500	550
16x14x16	337	387	991	473	370	*600	800
18x16x18	387	438	1092	498	405	*600	1000
20x18x20	438	489	1194	545	445	*600	1950
22x18x22	438	540	1295	545	445	*600	2640
24x20x24	489	591	1397	603	540	*600	3160
26x22x26	540	635	1448	688	550	*800	3400
28x24x28	591	686	1549	742	595	*800	4120
30x24x30	591	737	1651	742	595	*800	4800
32x26x32	635	781	1778	790	640	*800	5700
34x28x34	686	832	1930	797	680	*800	6150
36x30x36	737	876	2083	835	745	*800	7860

Notes

- 1.Face to face are according to API 6D
2. For 2" to 24". flanges are according to ASME B16.5
3. For over 24". flanges are according to ASME B16.47 series A.

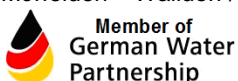
Subject to alternation

We reserve the right to make any technical modification. We are not responsible for any error in printing.

Nero Valves GmbH

Mörfelden – Walldorf / Germany

www.nero-valves.com; www.nero-valvesgmbh.de; info@nero-valvesgmbh.de



Solutions you can trust.



Trunnion Mounted Ball Valves

Model: NVTT

Top entry Design, one -piece Body



Full port class 300

Size (in.)	D (mm)	L (mm)	H1 (mm)	H2 (mm)	W (mm)	Weight (kg)
2	51	292	231	78	300	42
3	76	356	273	100	450	70
4	102	432	297	120	500	132
6	152	559	351	162	800	237
8	203	660	375	207	*400	424
10	254	787	415	244	*500	592
12	305	838	452	290	*500	790
14	337	889	473	370	*600	1150
16	387	991	498	405	*600	1510
18	438	1092	545	445	*600	2350
20	489	1194	603	540	*600	3590
22	540	1295	688	550	*800	4300
24	591	1397	742	595	*800	4680
26	635	1448	790	640	*800	5710
28	686	1549	797	680	*800	6970
30	737	1651	835	745	*800	8480
32	781	1778	898	770	*800	11230
34	832	1930	926	800	*800	11720
36	876	2083	950	820	*800	13560
40	978	2337	1038	860	*800	17700
42	1022	2438	1066	890	*800	19980
48	1188	2540	1227	970	*800	29000
56	1368	2949	1420	1120	*1000	47000

Reduce Port class 300

Size (in.)	d (mm)	D (mm)	L (mm)	H1 (mm)	H2 (mm)	W (mm)	Weight (kg)
2x1½X2	38	51	292	206	63	300	34
3x2x3	51	76	356	231	78	300	56
4x3x4	76	102	432	273	100	450	92
6x4x6	102	152	559	297	120	500	153
8x6x8	152	203	660	351	162	800	309
10x8x10	203	254	787	375	207	*400	506
12x10x12	254	305	838	415	244	*500	684
14x12x14	305	337	889	452	290	*500	850
16x14x16	337	387	991	473	370	*600	670
18x16x18	387	438	1092	498	405	*600	1450
20x18x20	438	489	1194	545	445	*600	6307
22x18x22	438	540	1295	545	445	*600	8780
24x20x24	489	591	1397	603	540	*600	12155
26x22x26	540	635	1448	688	550	*600	14300
28x24x28	591	686	1549	742	595	*600	18560
30x24x30	591	737	1651	742	595	*600	21550
32x26x32	635	781	1778	790	640	*800	24500
34x28x34	686	832	1930	797	680	*800	28900
36x30x36	737	876	2083	835	745	*800	34550

Notes

- 1.Face to face are according to API 6D
- 2. For 2" to 24". flanges are according to ASME B16.5
- 3. For over 24". flanges are according to ASME B16.47 series A.

Subject to alternation

We reserve the right to make any technical modification. We are not responsible for any error in printing.

Nero Valves GmbH

Mörfelden – Walldorf / Germany

www.nero-valves.com; www.nero-valvesgmbh.de; info@nero-valvesgmbh.de



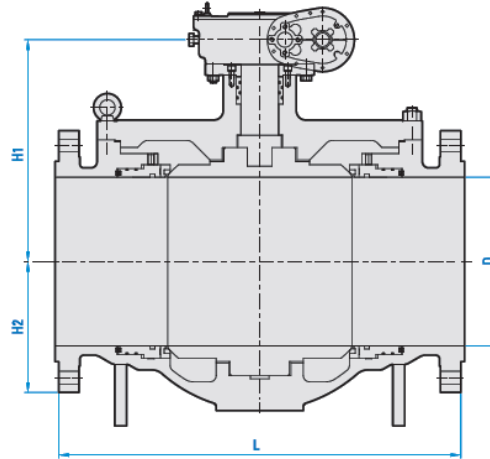
Member of German Water Partnership

Solutions you can trust.

Trunnion Mounted Ball Valves

Model: NVTT

Top entry Design, one -piece Body



Full port class 600

Reduce Port class 600

Size (in.)	D (mm)	L (mm)	H1 (mm)	H2 (mm)	W (mm)	Weight (kg)
2	51	292	231	78	500	60
3	76	356	273	100	700	75
4	102	432	297	120	800	155
6	152	559	351	162	*400	290
8	203	660	375	207	*400	480
10	254	787	415	244	*500	710
12	305	838	452	290	*500	1050
14	337	889	473	370	*600	1530
16	387	991	498	405	*600	1980
18	438	1092	545	445	*600	2460
20	489	1194	603	540	*600	3420
22	540	1295	688	550	*800	4030
24	591	1397	742	595	*800	5010
26	635	1448	790	640	*800	6340
28	686	1549	797	680	*800	8080
30	737	1651	835	745	*800	9150
32	781	1778	898	770	*800	10760
34	832	1930	926	800	*800	12750
36	876	2083	950	820	*800	15200
40	978	2337	1038	860	*800	19210
42	1022	2438	1066	890	*800	21850
48	1168	2540	1227	970	*800	33000
56	1368	2949	1420	1120	*1000	53000

Size (in.)	d (mm)	D (mm)	L (mm)	H1 (mm)	H2 (mm)	W (mm)	Weight (kg)
2x1/2X2	38	51	292	206	63	400	35
3x2x3	51	76	356	231	78	500	49
4x3x4	76	102	432	273	100	700	85
6x4x6	102	152	559	297	120	800	145
8x6x8	152	203	660	351	162	*400	282
10x8x10	203	254	787	375	207	*400	438
12x10x12	254	305	838	415	244	*500	548
14x12x14	305	337	889	452	290	*500	648
16x14x16	337	387	991	473	370	*600	970
18x16x18	387	438	1092	498	405	*600	1450
20x18x20	438	489	1194	545	445	*600	2960
22x18x22	438	540	1295	545	445	*600	3270
24x20x24	489	591	1397	603	540	*600	4160
26x22x26	540	635	1448	688	550	*600	4480
28x24x28	591	686	1549	742	595	*800	5100
30x24x30	591	737	1651	742	595	*800	5970
32x26x32	635	781	1778	790	640	*800	6540
34x28x34	686	832	1930	797	680	*800	8700
36x30x36	737	876	2083	835	745	*800	10570

Notes

- 1.Face to face are according to API 6D
2. For 2" to 24". flanges are according to ASME B16.5
3. For over 24". flanges are according to ASME B16.47 series A.

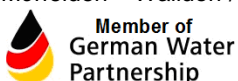
Subject to alternation

We reserve the right to make any technical modification. We are not responsible for any error in printing.

Nero Valves GmbH

Mörfelden – Walldorf / Germany

www.nero-valves.com; www.nero-valvesgmbh.de; info@nero-valvesgmbh.de

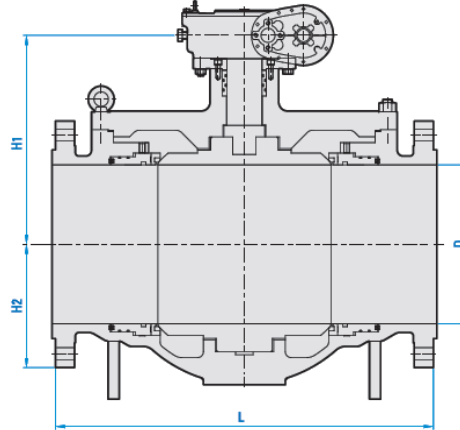


Solutions you can trust.

Trunnion Mounted Ball Valves

Model: NVTT

Top entry Design, one -piece Body



Full port class 900

Size (in.)	D (mm)	L (mm)	H1 (mm)	H2 (mm)	W (mm)	Weight (kg)
2	51	368	251	83	650	228
3	76	381	305	110	800	512
4	102	457	335	127	*400	946
6	152	610	396	170	*400	1784
8	203	737	436	225	*400	4116
10	254	838	445	260	*500	5910
12	305	965	536	310	*500	10137
14	337	1029	590	395	*600	14141
16	387	1130	625	450	*600	13866
18	438	1219	702	505	*600	22400
20	480	1321	801	565	*600	23544
22	540	1423	910	620	*700	42427
24	591	1549	953	660	*700	43276

Reduce Port class 900

Size (in.)	d (mm)	D (mm)	L (mm)	H1 (mm)	H2 (mm)	W (mm)	Weight (kg)
2x1½X2	38	51	368	234	68	650	163
3x2x3	51	76	381	251	83	650	228
4x3x4	76	102	457	305	110	800	512
6x4x6	102	152	610	335	127	*400	946
8x6x8	152	203	737	396	170	*400	1784
10x8x10	203	254	838	436	225	*400	4116
12x10x12	254	305	965	445	260	*500	5910
14x12x14	305	337	1029	536	310	*500	6700
16x14x16	337	387	1130	590	395	*600	8790
18x16x18	387	438	1219	625	450	*600	10137
20x18x20	438	489	1321	702	505	*600	14141
22x18x22	438	540	1423	801	565	*600	18866
24x20x24	489	591	1549	801	565	*600	28544

Full port class 1500

Size (in.)	D (mm)	L (mm)	H1 (mm)	H2 (mm)	W (mm)	Weight (kg)
2	51	368	251	83	700	67
3	76	470	310	110	800	130
4	102	546	357	142	*500	260
6	152	705	436	188	*500	560
8	203	832	505	250	*500	870
10	254	991	568	300	*600	1380
12	305	1130	663	350	*600	2290
14	337	1257	705	440	*700	2890
16	387	1384	775	460	*700	4700

Reduce Port class 1500

Size (in.)	d (mm)	D (mm)	L (mm)	H1 (mm)	H2 (mm)	W (mm)	Weight (kg)
2x1½X2	38	51	368	234	68	700	60
3x2x3	51	76	366	251	83	700	83
4x3x4	76	102	432	310	110	800	180
6x4x6	102	152	559	357	142	*500	370
8x6x8	152	203	660	436	188	*500	670
10x8x10	203	254	787	505	250	*500	1080
12x10x12	254	305	838	568	300	*600	1760
14x12x14	305	337	889	663	350	*600	2152
16x14x16	337	387	991	705	440	*700	3228

Full port class 2500

Size (in.)	D (mm)	L (mm)	H1 (mm)	H2 (mm)	W (mm)	Weight (kg)
2	51	451	291	95	800	122
3	76	578	349	128	*500	250
4	102	673	411	165	*500	468
6	152	914	487	245	*600	950
8	203	1022	572	315	*600	1790
10	254	1270	625	350	*700	2650
12	305	1422	695	410	*700	4300

Reduce Port class 2500

Size (in.)	d (mm)	D (mm)	L (mm)	H1 (mm)	H2 (mm)	W (mm)	Weight (kg)
2x1½X2	38	51	451	269	75	700	82
3x2x3	51	76	578	349	95	800	175
4x3x4	76	102	673	411	128	*500	320
6x4x6	102	152	914	487	165	*500	678
8x6x8	152	203	1022	572	245	*600	1126
10x8x10	203	254	1270	625	315	*600	2187
12x10x12	254	305	1422	695	350	*700	3340

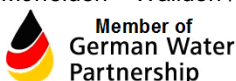
Subject to alternation

We reserve the right to make any technical modification. We are not responsible for any error in printing.

Nero Valves GmbH

Mörfelden – Walldorf / Germany

www.nero-valves.com; www.nero-valvesgmbh.de; info@nero-valvesgmbh.de



Solutions you can trust.